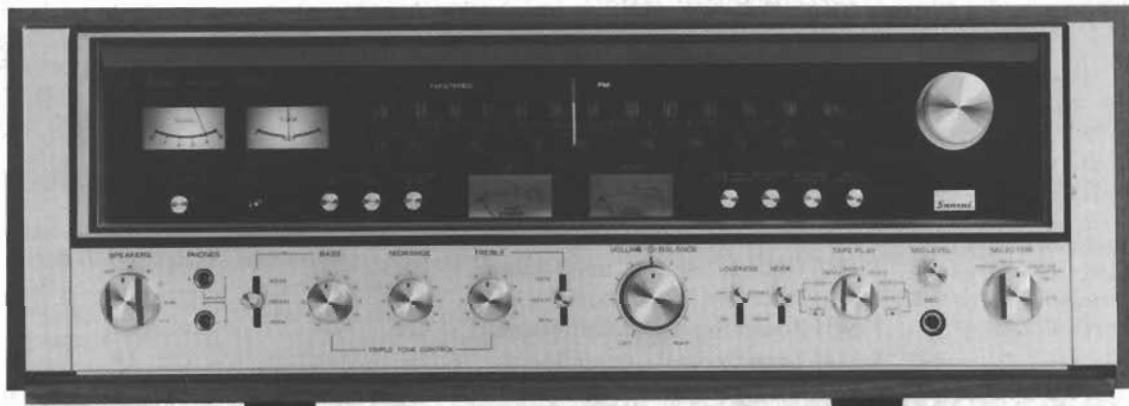




# SERVICE MANUAL

AM/FM STEREO RECEIVER

**SANSUI 9090/8080**



*Sansui*

SANSUI ELECTRIC CO., LTD.

**NOTE:**

This service manual includes two model numbers, # 9090 and # 8080 together as indicated Model **A** and **B** in parts lists, schematic diagram and others.

MODEL **A**.....# 9090

MODEL **B**.....# 8080

When ordering parts, use the parts name and stock No. after confirming either Model **A** or **B**.

**TABLE OF CONTENTS**

| <i>Section</i> | <i>Title</i>                             | <i>Page</i>       |
|----------------|--|-------------------|
| <b>1.</b>      | <b>SPECIFICATIONS</b>                    | <b>2</b>          |
| <b>2.</b>      | <b>THREADING OF DIAL CORD</b>            | <b>3</b>          |
| 2-1.           | Threading of Dial Cord                   | 3                 |
| 2-2.           | Attachment of Dial Pointer               | 3                 |
| <b>3.</b>      | <b>ALIGNMENTS AND ADJUSTMENT</b>         | <b>3</b>          |
| 3-1.           | Driver Circuit Board Adjustment          | 4                 |
| 3-2.           | FM Adjustment & Alignment                | 4, 5, 6           |
| 3-3.           | AM IF Adjustmet & Tracking               | 6                 |
| <b>4.</b>      | <b>OPERATION BLOCK DIAGRAM</b>           | <b>7</b>          |
| 4-1.           | Tuner Section                            | 7                 |
| 4-2.           | Audio Section                            | 7                 |
| <b>5.</b>      | <b>TROUBLE SHOOTING CHART</b>            | <b>8</b>          |
| 5-1.           | Audio Section                            | 8                 |
| 5-2.           | Tuner Section                            | 9                 |
| <b>6.</b>      | <b>PARTS LOCATION AND PARTS LIST</b>     | <b>10</b>         |
| 6-1.           | F-2546 Power Supply Circuit Board        | 10                |
| 6-2.           | F-2547 Protector Circuit Board           | 11                |
| 6-3.           | F-2543 Tone Control Circuit Board        | 11                |
| 6-4.           | F-2436 Driver Circuit Board              | 12                |
| 6-5.           | F-2545 Filter & Muting Circuit Board     | 12                |
| 6-6.           | F-2541 Equalizer Circuit Board           | 13                |
| 6-7.           | F-2431 Power Supply Circuit Board        | 13                |
| 6-8.           | F-2544 Tone Control Circuit Board        | 14                |
| 6-9.           | F-2542 Accessory Switch Circuit Board    | 14                |
| 6-10.          | F-2549 FM, AM Tuner Circuit Board        | 15, 16            |
| 6-11.          | F-2550 Multi-Path Circuit Board          | 16                |
| 6-12.          | F-1470 Lamp Circuit Board                | 16                |
| 6-13.          | F-2597 Connector Circuit Board           | 16                |
| 6-14.          | F-2548 Protector Connector Circuit Board | 16                |
| 6-15.          | F-1519 FM Pack                           | 17                |
| 6-16.          | Figures                                  | 17                |
| <b>7.</b>      | <b>SCHEMATIC DIAGRAM</b>                 | <b>18, 19, 20</b> |
| <b>8.</b>      | <b>OTHER PARTS</b>                       | <b>21</b>         |
| 8-1.           | Other Parts (Top Side)                   | 21                |
| 8-2.           | Other Parts (Front Side)                 | 21, 22            |
| <b>9.</b>      | <b>PACKING LIST</b>                      | <b>22</b>         |
| <b>10.</b>     | <b>ACCESSORY PARTS LIST</b>              | <b>22</b>         |

# 1. SPECIFICATIONS

## AUDIO SECTION

### POWER OUTPUT

Min. RMS, both channels driven, from 20 to 20,000Hz, with no more 0.2% total harmonic distortion

- \*MODEL **A** { 110 watts per channel into 8 ohms  
Min. RMS, both channels driven, at 1kHz, with no more than 0.2% total harmonic distortion 120 watts per channel into 8 ohms
- \*MODEL **B** { 80 watts per channel into 8 ohms  
Min. RMS, both channels driven, at 1kHz, with no more than 0.2% total harmonic distortion 90 watts per channel into 8 ohms

LOAD IMPEDANCE ..... 8 ohms

POWER BANDWIDTH ..... 20 to 20,000Hz at or below rated min. RMS power output and total harmonic distortion

TOTAL HARMONIC DISTORTION ..... less than 0.2% at or below rated min. RMS power output

INTERMODULATION DISTORTION (70Hz : 7kHz = 4.1 SMPTE method) ..... less than 0.2%

FREQUENCY RESPONSE (at 1 watt) ..... 10 to 30,000Hz  $\pm$  1dB

RIAA CURVE DEVIATION (PHONO) ..... +0.5dB, -0.5dB (30Hz to 15kHz)

DAMPING FACTOR ..... approximately 10 at 8 ohm load  
INPUT SENSITIVITY AND IMPEDANCE (1kHz. for rated power output)

PHONO ..... 2.5mV/50 kilo ohms  
(Max. input capability : 200mV at 1kHz, less than 0.2% total harmonic distortion.)

TAPE PLAY, AUX ..... 100mV/50 kilo ohms

OUTPUT LEVEL (1,000Hz)  
TAPE-1, 2 REC (pin jacks) ..... 100mV

TAPE-2 REC/PLAY (DIN socket) ..... 30mV

PRE OUT ..... 750mV

CHANNEL SEPARATION (at rated output 1,000Hz)  
PHONO ..... better than 50dB  
TAPE PLAY, AUX ..... better than 50dB

HUM AND NOISE  
PHONO ..... better than 70dB  
TAPE PLAY, AUX ..... better than 80dB

CONTROLS  
BASS .....  $\pm$  10dB (50Hz)  
\*MODEL **A** ONLY  
TONE SELECTOR (turnover frequency) ..... 150, 300Hz

MIDRANGE .....  $\pm$  5dB (1.5kHz)

TREBLE .....  $\pm$  10dB (10kHz)  
\*MODEL **A** ONLY  
TONE SELECTOR (turnover frequency) ..... 1.5, 3kHz

LOUDNESS ..... +10dB (50Hz)  
+8dB (10kHz)

LOW FILTER ..... -10dB (50Hz)

HIGH FILTER ..... -10dB (10kHz)

AUDIO MUTING ..... -20dB

## FM SECTION

TUNING RANGE ..... 88 to 108MHz

SENSITIVITY (IHF) ..... 1.7 $\mu$ V  
(DIN) ..... 0.9 $\mu$ V

QUIETING SLOPE (Mono) .. 3 $\mu$ V (50dB)

TOTAL HARMONIC DISTORTION  
STEREO ..... less than 0.3%  
MONO ..... less than 0.2%

SIGNAL TO NOISE RATIO (mono)

SELECTIVITY ..... better than 85dB

CAPTURE RATIO ..... less than 1.5dB

IMAGE REJECTION ..... better than 75dB (98MHz)

IF REJECTION ..... better than 90dB (98MHz)

SPURIOUS REJECTION ..... better than 90dB (98MHz)

SPURIOUS RADIATION ..... less than 34dB

STEREO SEPARATION ..... better than 40dB (1kHz)

FREQUENCY RESPONSE ..... 30 to 15,000Hz  $\pm$  0.5 dB  $\pm$  2.0 dB

ANTENNA INPUT IMPEDANCE  
..... 75 $\Omega$  unbalanced  
300 $\Omega$  balanced

## AM SECTION

TUNING RANGE ..... 535 to 1,605kHz

SENSITIVITY (Bar antenna) .. 50dB/m (1,000kHz)

SELECTIVITY ..... better than 50dB (1,000kHz)

IMAGE REJECTION ..... better than 80dB/m (1,000kHz)

IF REJECTION ..... better than 80dB/m (1,000kHz)

## OTHERS

### POWER REQUIREMENTS

POWER VOLTAGE ..... 100, 120, 220, 240V (50/60Hz)

### POWER CONSUMPTION

\*MODEL **A** ..... 270 watts (rated)

\*MODEL **B** ..... 180 watts (rated)

DIMENSIONS ..... 540mm (21- $\frac{5}{16}$ " ) W  
182mm ( 7- $\frac{3}{16}$ " ) H  
399mm (15- $\frac{1}{16}$ " ) D

### WEIGHT

\*MODEL **A** ..... { 23.3 kg (51.4 lbs) net  
25.7 kg (56.7 lbs) packed

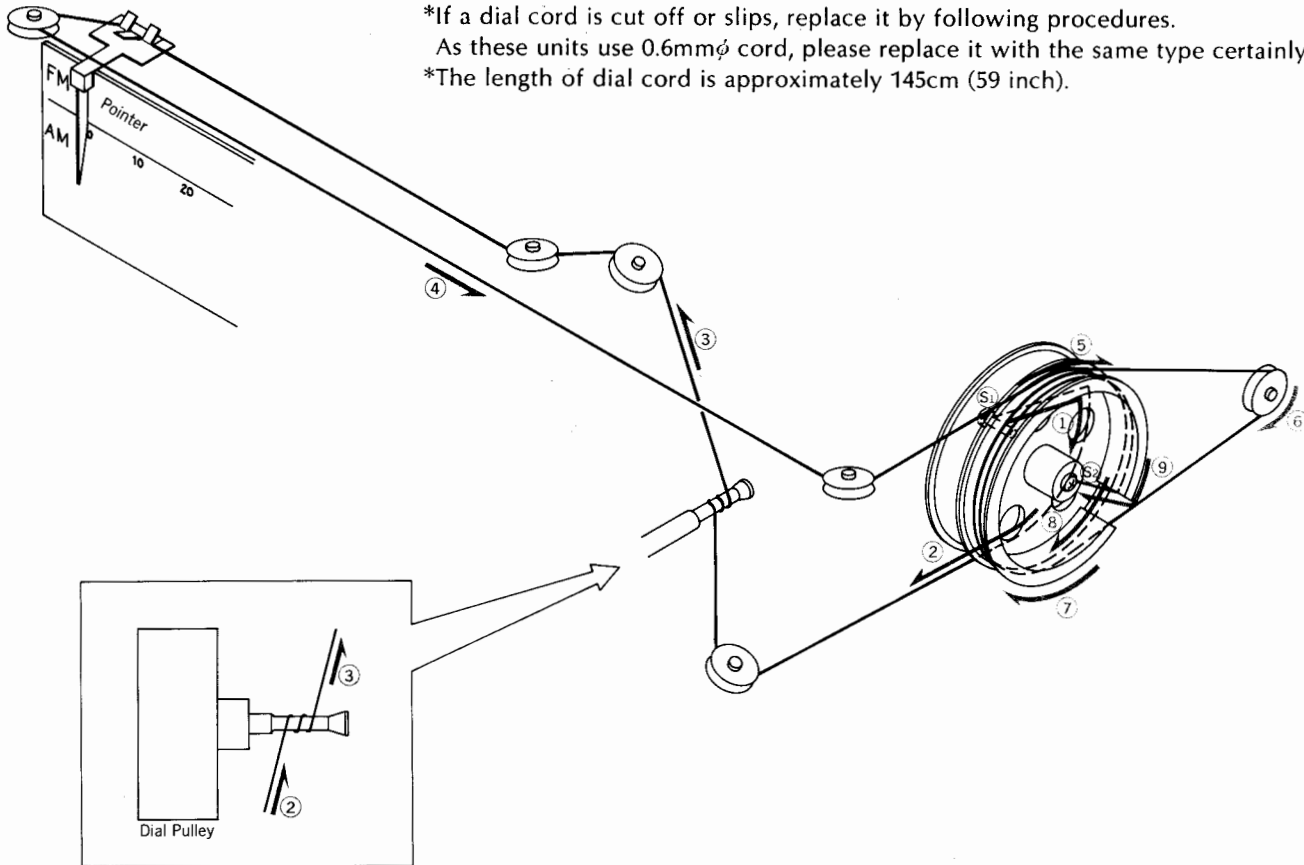
\*MODEL **B** ..... { 20.9 kg (46.1 lbs) net  
23.3 kg (54.1 lbs) packed

**NOTE:** In this specifications, there are two model numbers as model **A** and **B**. Regarding name of model **A**, **B**, please refer to "Notes" indicated on page 1.

\* Design and specifications subject to change without notice for improvements.

## 2. THREADING OF DIAL CORD

\*If a dial cord is cut off or slips, replace it by following procedures.  
 As these units use 0.6mmφ cord, please replace it with the same type certainly.  
 \*The length of dial cord is approximately 145cm (59 inch).



### 2-1. Threading of Dial Cord

Thread the dial cord in numerical order from ① to ⑨ as Fig. 2-1.

- 1) Close the variable capacitor completely (Max. capacitance).
- 2) Tie dial cord to the screw, S1.
- 3) Thread cord in the direction of arrow from ① to ⑨
- 4) After ⑨, tie the cord to the screw S2 of the dial pulley.

### 2-2. Attachment of Dial Pointer

- 1) Close the variable capacitor completely.
  - 2) Set the dial pointer to the 0 position on dial scale.
- \*Confirm that the dial pointer runs smoothly on the dial scale by turning the tuning shaft.

| Stock No. | Description        |
|-----------|--------------------|
| 6036051   | Dial Cord (0.6mmφ) |
| 6146670   | D44 Type Pulley    |

## 3. ALIGNMENTS AND ADJUSTMENT

### Abbreviation

#### Equipment

AM FM Generator Oscilloscope ..... Genescope  
 AM Signal Generator ..... AM SG  
 FM Signal Generator ..... FM SG  
 Multiplex Stereo Generator ..... Scope  
 Oscilloscope ..... Audio Osc.  
 Audio Oscillator ..... Dist. Meter

#### Others

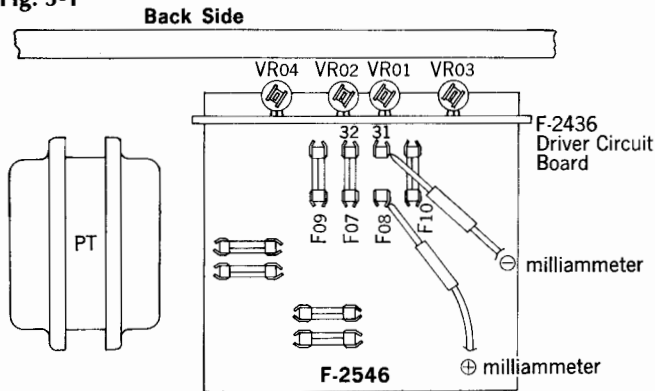
Clockwise ..... CW.  
 Counterclockwise ..... CCW.  
 Antenna ..... ANT.  
 Modulation ..... MOD.

### 3-1. Driver Circuit Board Adjustments (See Fig. 3-1, 3-2 on page 4)

- Note: 1. Master Volume.....Minimum  
 2. Before adjustment, run the unit for more than 4 minutes, then check and readjust necessary.

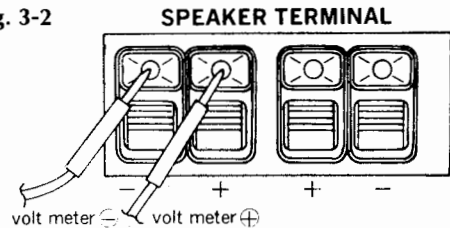
| STEP | SUBJECT           | EQUIPMENT       | MEASURE OUTPUT        | ADJUST      | ADJUST FOR   | CONDITION   |
|------|-------------------|-----------------|-----------------------|-------------|--|---|
| 1.   | DC 0V L-CH        | DC volt Meter   | Speaker Terminal L-CH | VR01 F-2436 | 0V $\pm$ 10mV  | ◦ Step down meter range accordingly.<br>◦ Change leads polarity if meter swings backward. |
| 2.   | DC 0V R-CH        | Same as above   | Speaker Terminal R-CH | VR02 F-2436 | Same as above  | Same as above   |
| 3.   | Bias Current L-CH | DC Milliammeter | F07 F-2546            | VR03 F-2436 | *MODEL A 50mV $\pm$ 1 mA<br>*MODEL B 30mA $\pm$ 1 mA | ◦ Step down meter range accordingly   |
| 4.   | Bias Current R-CH | Same as above   | F08 F-2546            | VR04 F-2436 | Same as above  | ◦ Same as above   |

Fig. 3-1



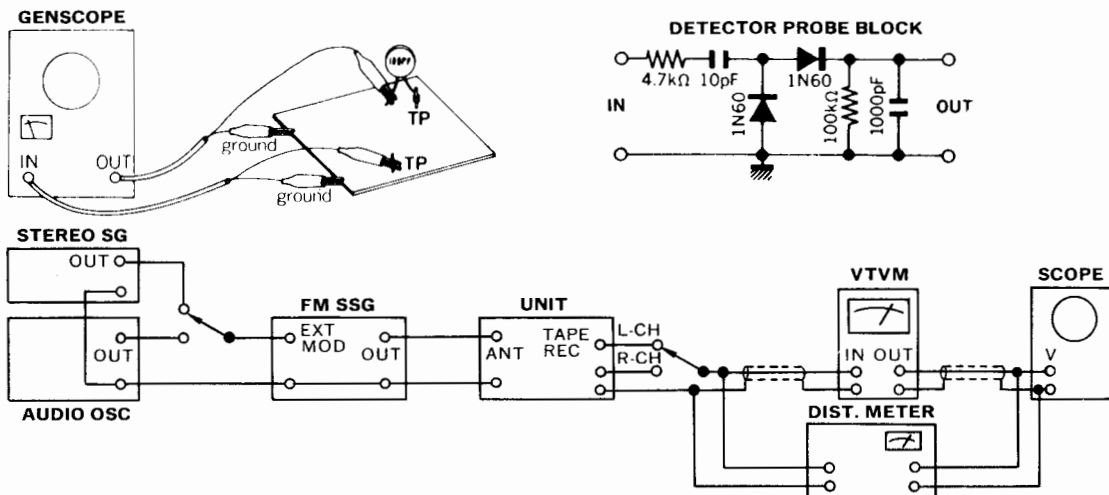
Note: In adjustment above, there are two model numbers as model A and B. Regarding name of model A, B, please refer to "Note" indicated on page 1.

Fig. 3-2




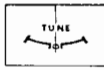


### 3-2. FM Adjustment & Alignment

- Note: 1. Selector.....FM AUTO 2. FM MUTING Switch .....OFF  
 3. Connection.....Connect the output of genscope to TP through 100pF ceramic capacitor.  
 { Output level of genscope.....After attenuator  
 4. Sweep width .....1.5~2cm/150kHz  
 Frequency band .....9.5~11.5MHz



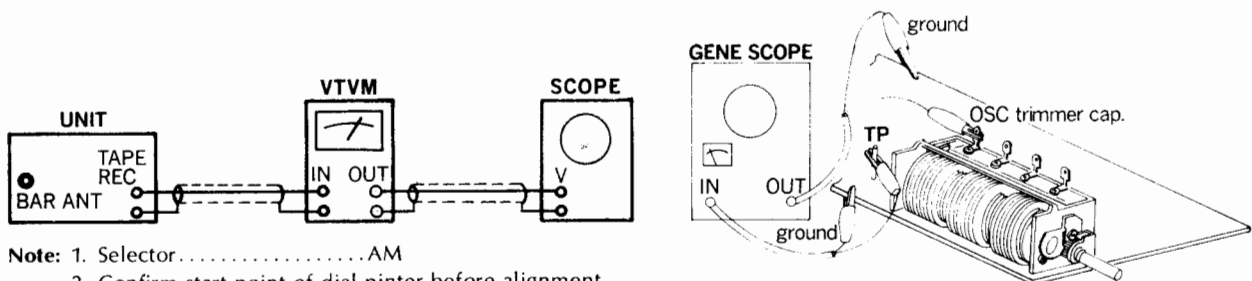
1) FM IF Adjustment & Tracking (See Fig. 3-3, 3-4, 3-5 on page 6)

| STEP | SUBJECT                       | FEED SIGNAL  |                                  | MEASURE OUTPUT  | ADJUST                          | ADJUST FOR                     | CONDITION   |
|------|-------------------------------|--|----------------------------------|---|---------------------------------|--------------------------------|---|
|      |                               | FROM   | TO                               |   |                                 |                                |   |
| 1.   | IF coil                       | Output 90dB<br>Genescope                               | TP01<br>FM, AM<br>Pack<br>F-1519 | Terminal<br>01 of<br>F-2549. Use<br>Detector<br>Probe | L05<br>F-1519                   | Max. IF<br>waveform            |    |
|      |                               | Output 50dB<br>Genescope                               | Same as<br>above                 | TP01<br>F-2549  | T01<br>F-2549                   | Same as above                  |   |
| 2.   | Muting Coil                   | Output 50dB<br>Genescope                               | Same as<br>above                 | TP04<br>F-2549  | T04<br>F-2549                   | Same as above                  |   |
| 3.   | Discriminator Coil            | Output 50dB<br>Genescope                               | Same as<br>above                 | TP03<br>F-2549  | T02<br>T03<br>F-2549            | Max. linearity<br>of S Curve   |    |
| 4.   | 90MHz<br>Dial<br>Calibration  | 90MHz<br>ANT Input 60dB<br>400Hz (100% MOD)<br>FM SSG  | ANT<br>Terminal<br>300Ω          | REC OUT<br>L or R-CH<br>VTVM &<br>Scope               | L06<br>F-1519                   | Max. Output                    |   |
|      | 106MHz<br>Dial<br>Calibration | 106MHz<br>ANT Input 60dB<br>400Hz (100% MOD)<br>FM SSG | Same as<br>above                 | Same as<br>above                                      | TC04<br>F-1519                  | Same as above                  |   |
| 5.   | 90MHz<br>RF Adj.              | 90MHz<br>ANT Input 60dB<br>400Hz (100% MOD)<br>FM SSG  | Same as<br>above                 | Same as<br>above                                      | L01, L02,<br>L03<br>F-1519      | Same as above                  |   |
|      | 106MHz<br>RF Adj.             | 106MHz<br>ANT Input 60dB<br>400Hz (100% MOD)<br>FM SSG | Same as<br>above                 | Same as<br>above                                      | TC01<br>TC02<br>TC03<br>F-1519  | Same as above                  |   |
| 6.   | Signal Meter<br>Volume        | 98MHz<br>ANT Input 100dB<br>400Hz (100% MOD)<br>FM SSG | Same as<br>above                 | Signal<br>Meter                                       | VR02<br>F-2549                  | 4.7 on meter                   |  |
| 7.   | Distortion                    | 98MHz<br>ANT Input 60dB<br>400Hz (100% MOD)<br>FM SSG  | Same as<br>above                 | REC OUT<br>L or R-CH<br>Dist meter<br>& Scope         | T02<br>T03 }<br>T01 }<br>F-2549 | Max. Output<br>Min. Distortion | T01.. Slightly adjust   |
| 8.   | Tune Meter<br>Volume          | 98MHz<br>ANT Input 60dB<br>400Hz (100% MOD)<br>FM SSG  | Same as<br>above                 | Tune<br>meter   | VR01<br>F-2549                  | Center on<br>meter             |  |

## 2) MPX Alignment (See Fig. 3-4, 3-5 on page 6)

| STEP | SUBJECT  | FEED SIGNAL   |   | MEASURE OUTPUT                            | ADJUST  | ADJUST FOR  | CONDITION  |
|------|--|---|---|---|---|---|--|
|      |  | FROM  | TO  |   |   |   |  |
| 1.   | PLL VCO Adj.                                     | 98MHz<br>ANT Input<br>60dB FM SSG<br>Pilot 19kHz<br>(10% MOD)<br>L-CH 1kHz<br>(45% MOD)<br>R-CH (0% MOD)<br>STEREO SG | ANT<br>Terminal<br>300Ω                                   | Stereo<br>Indicator                       | VR04<br>F-2549                                      | Light<br>Indicator  | Adjust the VR<br>within center<br>of lighting level. |
|      | PLL VCO Adj.<br>In case of using Freq<br>Counter |   | Make short<br>between<br>TP03 of<br>F-2549 and<br>chassis | TP02<br>F-2549<br>Use Freq.<br>Counter    | VR04<br>F-2549                                      | 76kHz<br>(±200Hz)   |  |
| 2.   | Separation                                       | 98MHz<br>ANT Input 60dB<br>FM SSG<br>Pilot 19kHz<br>(10% MOD)<br>L-CH (0% MOD)<br>R-CH 1kHz<br>(45% MOD)<br>STEREO SG | ANT<br>Terminal<br>300Ω                                   | REC OUT<br>L-CH<br>VTVM &<br>Scope        | VR05<br>F-2549                                      | Min.<br>Output<br>-35dB                                     |  |
| 3.   | Distortion                                       | Same as above   | Same as<br>above  | REC OUT<br>L-CH<br>Dist. meter<br>& Scope | L05<br>1 Side<br>2 Side<br>AM, FM<br>Pack<br>F-1519 | Min.<br>Distortion  | If less than 0.3%,<br>adjust L05 slightly.           |
| 4.   | Separation                                       | 98MHz ANT Input<br>60dB FM SSG<br>Pilot 19kHz<br>(10% MOD)<br>L-CH 1kHz<br>(45% MOD)<br>R-CH (0% MOD)<br>STEREO SG    | Same as<br>above  | REC OUT<br>R-CH<br>VTVM &<br>Scope        | VR05<br>F-2549                                      | Min.<br>Output<br>-30dB                                     |  |
| 5.   | Muting level &<br>Indicator level                | 98MHz ANT Input<br>23dB FM SSG<br>Pilot 19kHz(10% MOD)<br>L-CH 1kHz(45% MOD)<br>R-CH (0% MOD)<br>STEREO SG            | Same as<br>above  | Stereo<br>Indicator                       | VR03<br>F-2549                                      | Muting level<br>23dB<br>Indicator<br>lighting level<br>23dB |  |

## 3-3. AM IF Adjustments & Tracking (See Fig. 3-4, 3-5 on page 6)



- Note:** 1. Selector.....AM  
2. Confirm start point of dial pinter before alignment.


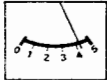
| STEP | SUBJECT                        | FEED SIGNAL  |                               | MEASURE OUTPUT                          | ADJUST                           | ADJUST FOR    | CONDITION   |
|------|--------------------------------|--|-------------------------------|---|----------------------------------|---------------|---|
|      |                                | FROM   | TO                            |   |                                  |               |   |
| 1.   | IF Coil                        | Genescope Output 70dB                                  | TC05<br>FM, AM<br>Pack F-1519 | TP06<br>F-2549                          | CF04<br>F-2549                   | Max. Output   |  |
| 2.   | 600kHz<br>Dial<br>Calibration  | 600kHz<br>ANT Input 60dB<br>400Hz (MOD 30%)<br>AM SSG  | AM ANT<br>Terminal            | REC OCT<br>L or R-CH<br>VTVM &<br>Scope | T05<br>F-2549                    | Same as above |   |
|      | 1400kHz<br>Dial<br>Calibration | 1400kHz<br>ANT Input 60dB<br>400Hz (MOD 30%)<br>AM SSG | Same as<br>above              | Same as<br>above                        | TC05<br>FM, AM<br>Pack<br>F-1519 | Same as above |   |
| 3.   | 600kHz<br>RF Adj.              | 600kHz<br>ANT Input 50dB<br>400Hz (MOD 30%)<br>AM SSG  | Same as<br>above              | Same as<br>above                        | Bar<br>Antenna<br>T702           | Same as above |   |
|      | 1400kHz<br>RF Adj.             | 1400kHz<br>ANT Input 50dB<br>400Hz (MOD 30%)<br>AM SSG | Same as<br>above              | Same as<br>above                        | TC06<br>FM, AM<br>Pack<br>F-1519 | Same as above |   |
| 4.   | Signal<br>Meter                | 1000kHz<br>ANT Input 80dB                              | Same as<br>above              | Signal<br>Meter                         | VR06<br>F-2549                   | 4.3 on meter  |  |

Fig. 3-3

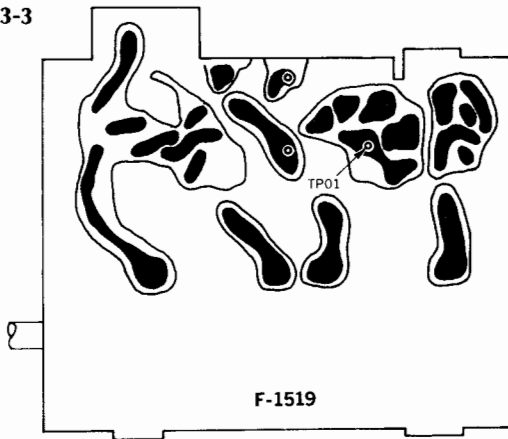


Fig. 3-4

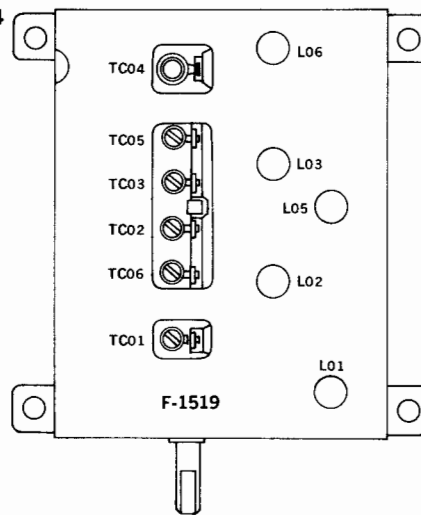
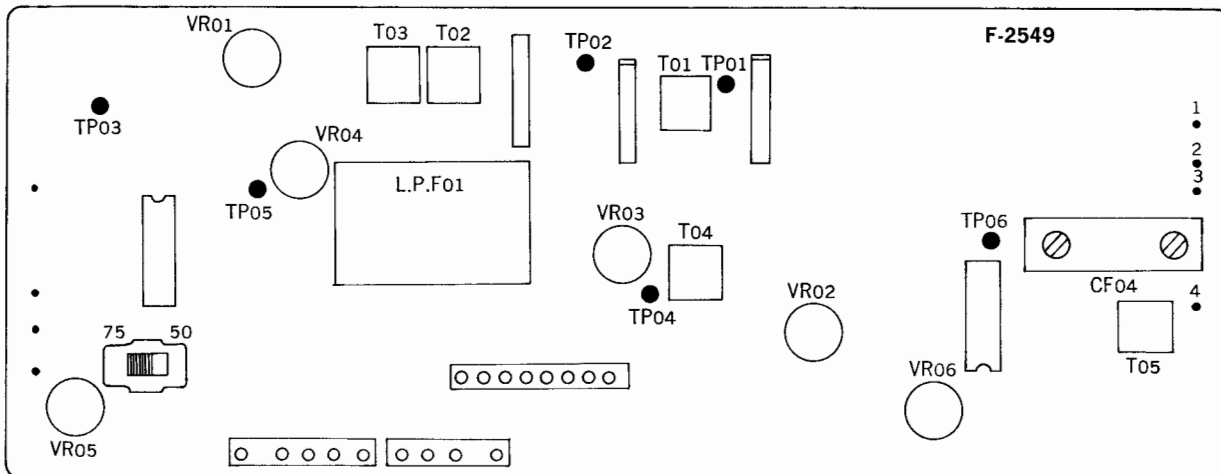


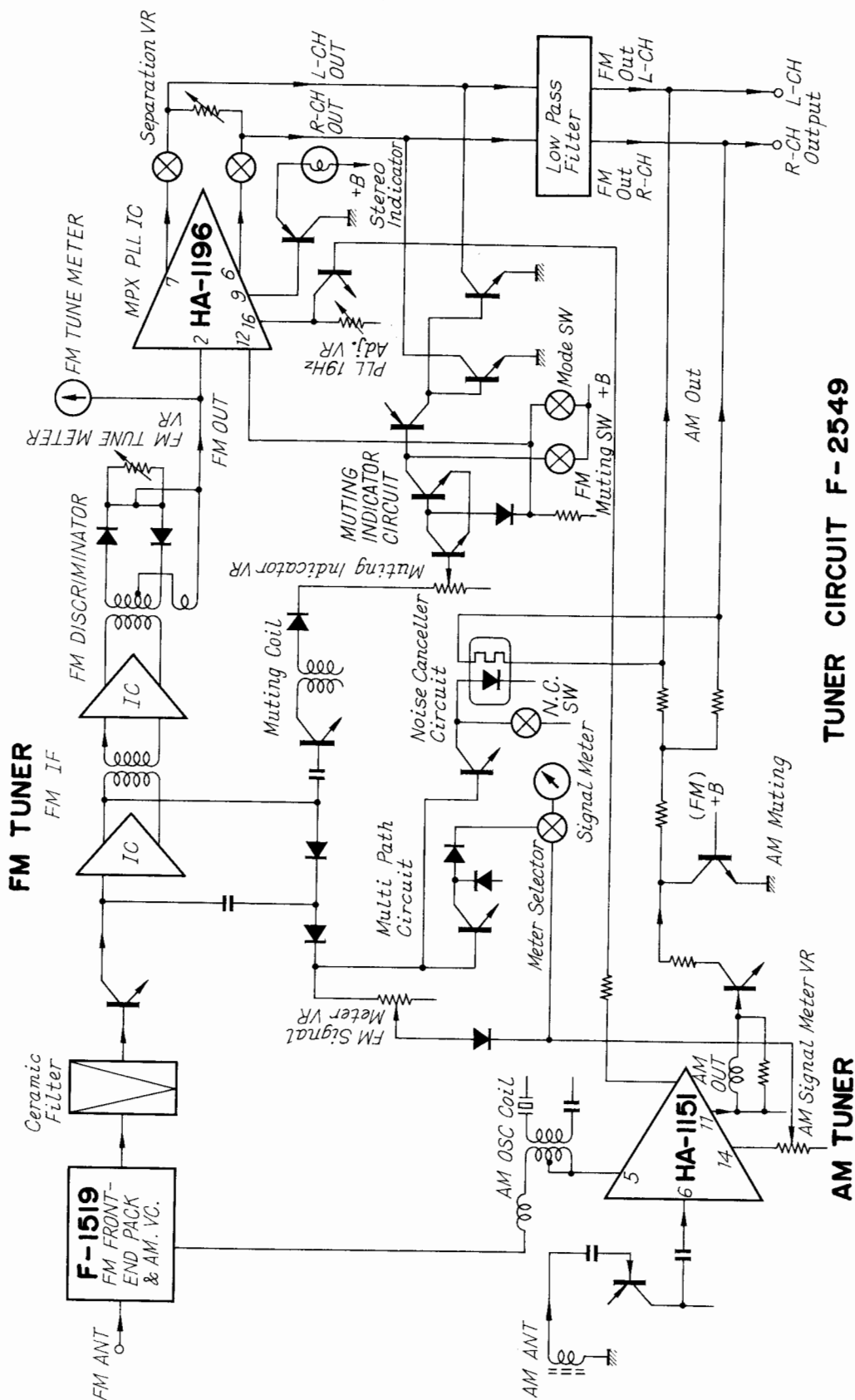
Fig. 3-5





# 4. OPERATION BLOCK DIAGRAM

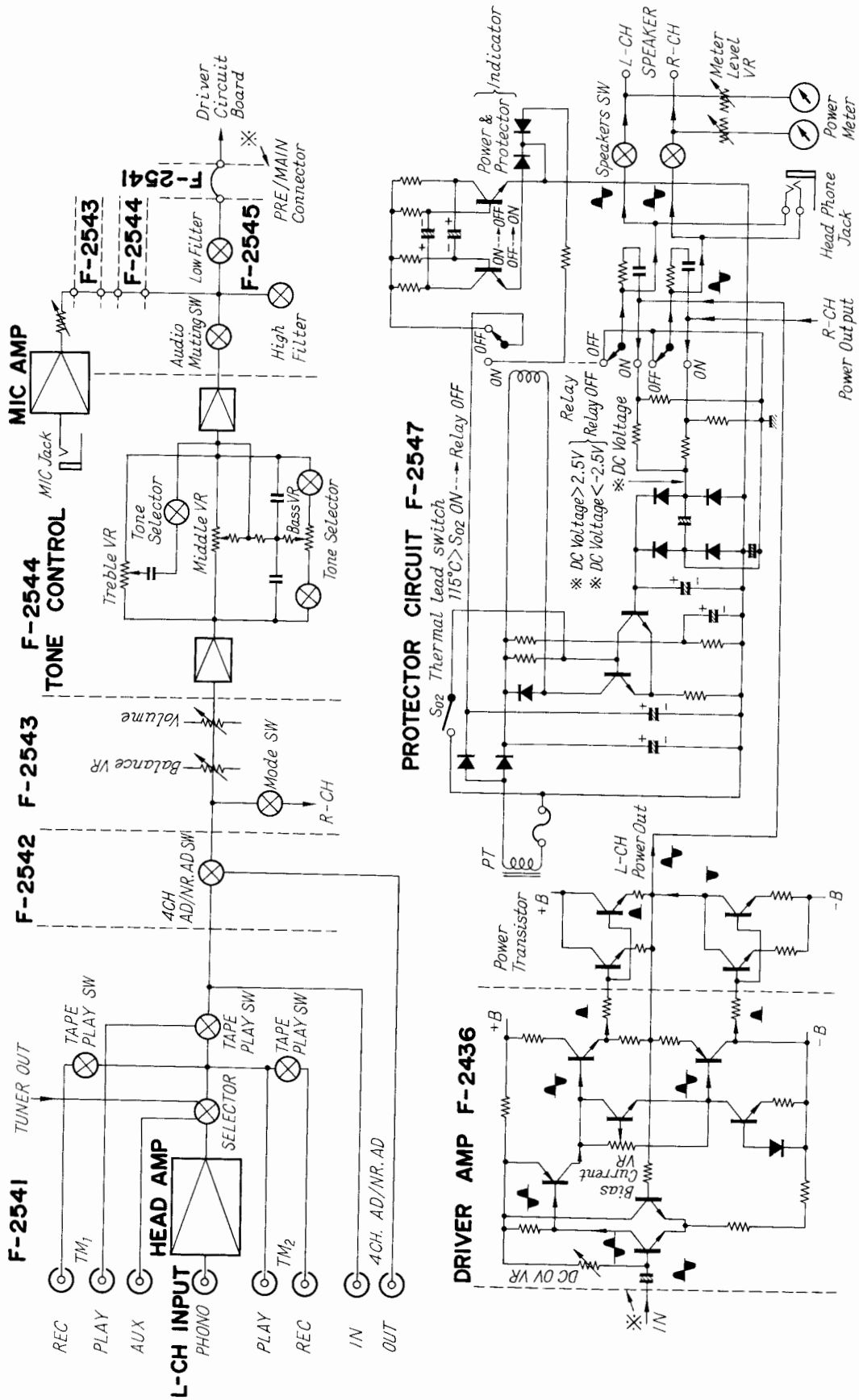
## 4-1. Tuner Section



TUNER CIRCUIT F-2549

AM TUNER

# 4-2. Audio Section



## 5. TROUBLESHOOTING CHART

### 5-1. Audio Section

| Symptom                             | Defective Circuit or Check Point   | Cause  |
|-------------------------------------|--|--|
| 1) Troubles on Power Supply section | Defective parts in circuit on primary side of power transformer<br><br>Defective rectifier circuit in secondary side of power transformer<br>Defective or regulated power supply section | 1. Power fuse, F701 opens<br>2. Defective power switch, S701<br>3. Imperfect contact of voltage selector<br>1. AC fuse, F01~F06 opens<br>2. Defective diode, D02, D03 on F-2546<br>1. Defective D01 on F-2546<br>2. Defective TR01~TR03 on F-2546  |
| 2) Troubles on protector section    | Protector circuit inoperative when DC voltage is given to output of power stage<br>Defective protection circuit with thermal lead switch<br><br>Protector indicator does not flicker     | 1. Defective D04~D07 on F-2547<br>2. Defective TR01, TR02 on F-2547<br>3. Defective relay, RL01<br>1. Defective thermal lead switch, S702<br>2. Defective TR01, TR02 on F-2547<br>3. Defective relay, RL01<br>1. Defective TR03, TR04 on F-2547<br>2. Defective C06, C07 on F-2547<br>3. Defective LED01 on F-2548 |
| 3) Troubles on Power AMP. section   | Quick acting fuse opens<br><br>One channel inoperative<br>Over-flow bias current   | 1. Power transistor shorted<br>2. Defective TR11~TR14 on F-2436<br>3. TR07 on F-2436 opens<br>4. Defective protector circuit<br>1. Defective TR01~TR03 on F-2436<br>1. Incorrect adjustment VR03, VR04 on F-2436   |
| 4) Troubles on Tone Control section | Inoperative tone control circuit<br><br>Noise is produced by turning tone volume controls  | 1. Defective IC01 on F-2544<br>2. Defective TR01 on F-2544<br>1. Defective tone control volume VR01, VR02 on F-2544  |
| 5) Troubles on MIC AMP. section     | Inoperative Mic AMP. circuit   | 1. Defective IC601 on F-2543<br>2. Defective TR601 on F-2543<br>3. Imperfect contact of MIC Jack   |
| 6) Troubles on Equalizer section    | Inoperative equalizer circuit  | 1. Defective IC01, IC02 on F-2541<br>2. Imperfect contact of selector<br>3. Imperfect contact of Tape switch   |
| 7) Power meter inoperative          | Meter circuit inoperative  | 1. Imperfect adjustment of VR01, VR02 on F-2547<br>2. Defective M701, M702<br>3. Defective D10~D12 on F-2547   |

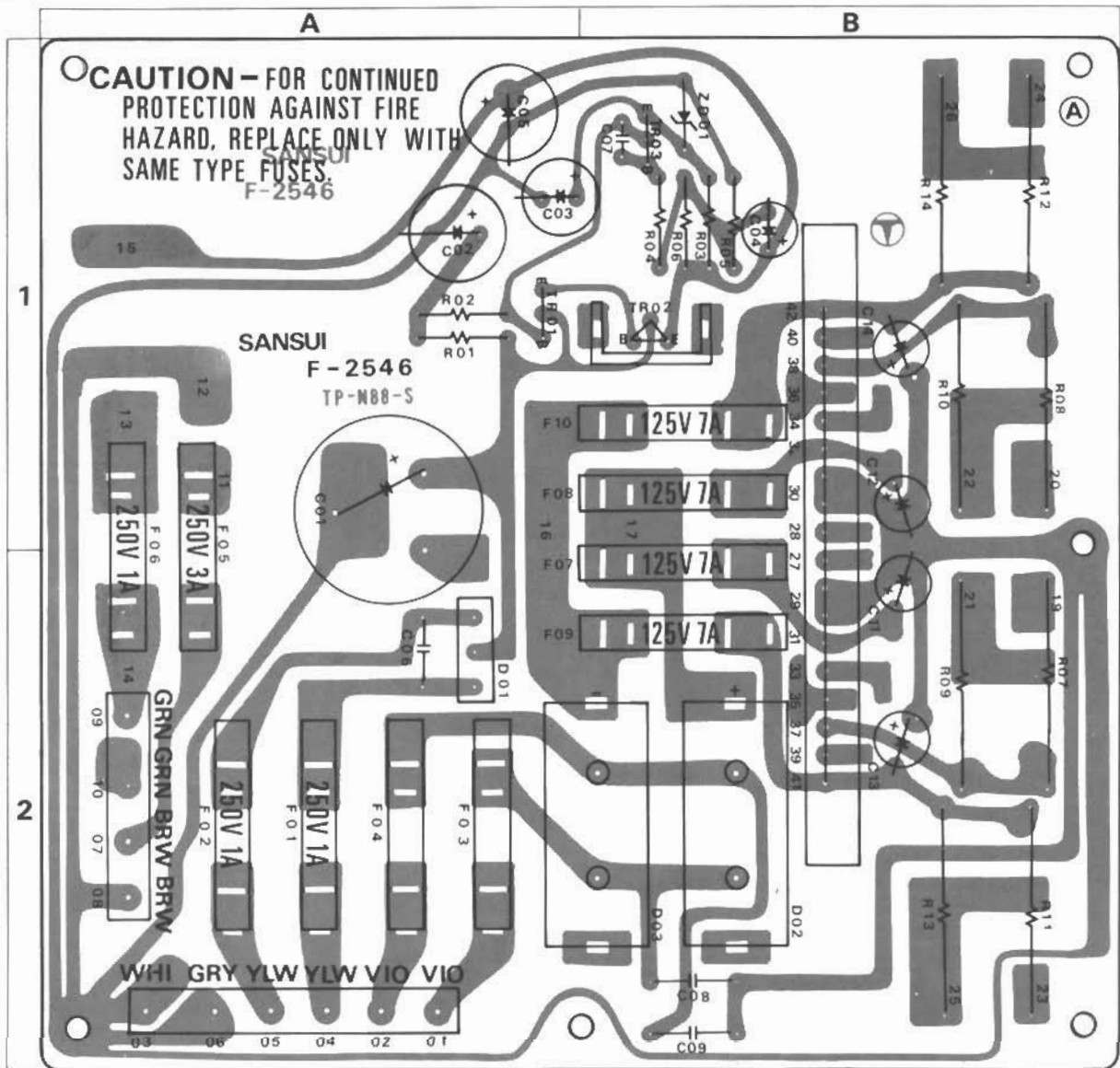
## 5-2. Tuner Section

| Symptom   | Defective Circuit or Check Point                            | Cause   |
|---|---|---|
| 1) Both AM and FM inoperative                   | Power supply section inoperative                            | 1. Defective TR01 on F-2431<br>2. Imperfect contact of selector switch  |
| 2) AM inoperative                               | Defective semiconductors<br><br>Defective coils             | 1. Defective TR12 on F-2549<br>2. Defective IC05 on F-2549<br>3. Defective TR13, TR14 on F-2549<br>1. Osc coil opens<br>2. Bar antenna coil opens   |
| 3) AM poor sensitivity                          | Incorrect adjustment  | 1. IF or Tracking out of adjustment   |
| 4) Signal meter does not properly operate       | Defective meter circuit                                     | 1. Signal meter volume, VR06 out of adjustment<br>2. Defective signal meter, M703   |
| 5) FM inoperative                               | Defective FRONT-END PACK F-1519<br><br>Defective IF section | 1. Defective FET01, TR01, 02 on F-1519<br>2. Coil, L01~L06 on F-1519 opened<br>1. Defective TR01~TR03 on F-2549<br>2. Defective IC01~IC03 on F-2549<br>3. T01, T02 on F-2549, opened  |
| 6) FM poor sensitivity                          | Incorrect adjustment<br><br>Poor FM input signal            | 1. RF and Tracking out of adjustment<br>2. IF coil and discriminator coil out of adjustment<br>1. Weak electric field intensity area  |
| 7) Signal meter does not properly operate       | Defective meter circuit                                     | 1. Defective D05~D07 on F-2549<br>2. Signal meter volume VR02 out of adjustment   |
| 8) MPX inoperative                              | Defective PLL circuit<br>Defective semiconductors           | 1. Defective IC04 on F-2549<br>2. TR10, TR11 on F-2549 shorted  |
| 9) No channel separation on FM stereo reception | Incorrect adjustment  | 1. Muting coil, T04 out of adjustment<br>2. Muting, Indicator volume, VR03 out of adjustment<br>3. Free-run frequency adjust. Volume, VR04 out of adjustment<br>4. Separation volume, VR05 out of adjustment<br>5. Defective TR08 on F-2549 |
| 10) Troubles on Muting indicator circuit        | Muting inoperative  | 1. Defective TR05~TR07 on F-2549<br>2. T04, VR03 on F-2549 out of adjustment<br>3. TR10, TR11 opens   |
| 11) Stereo indicator does not light up          | Indicator circuit inoperative                               | 1. Defective TR04, TR05 on F-2549<br>2. T04, VR03 on F-2549 out of adjustment<br>3. TR09 on F-2549 opens<br>4. Stereo indicator lamp, PL707 opens   |

# 6. PARTS LOCATION AND PARTS LIST

## 6-1. F-2546 Power Supply Circuit Board (Stock No. 7501281 MODEL A) (Stock No. 7501271 MODEL B)

Conductor Side



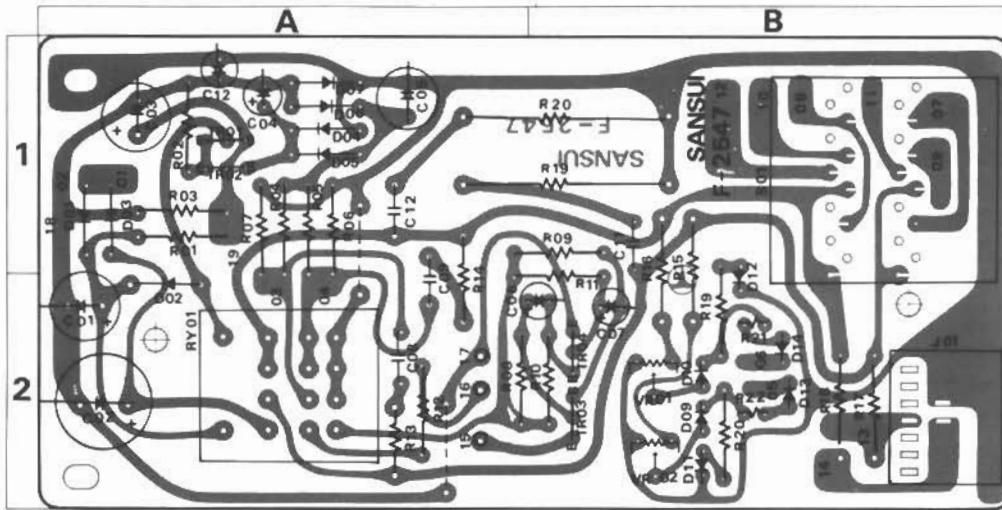
### Parts List

| Parts No. | Stock No. | Description        | Position | Parts No. | Stock No. | Description       | Position | Parts No.            | Stock No. | Description         | Position               |
|-----------|-----------|--------------------|----------|-----------|-----------|-------------------|----------|----------------------|-----------|---------------------|------------------------|
| TR01      | 0305930   | 1 2SC1211 (C, D)   | 1 A      | C07       | 0657221   | 220pF 50V C.C.    | 1 B      | R10                  | 0135338   | 0.33Ω 5W Ce R       | 1 B                    |
| TR02      | 0308390   | 2 2SD313 (C, D, E) | 1 B      | C08       | 0655103   | 10000pF 500V C.C. | 2 B      | R001                 | 0152220   | 22Ω 2W              | 1 B                    |
| TR03      | 0305930   | 1 2SC1211 (C, D)   | 1 B      | C09       | 0655103   | 10000pF 500V C.C. | 2 B      | F01, 02              | 0431220   | AC Fuse 1A          | 2 A                    |
| D01       | 0310530   | 1S1850             | 2 A      | C11       | 0539001   | 4.7μF             | 2 B      | F03                  | 0431240   | AC Fuse 3A          | 1 B                    |
|           | 0310800   | 10DC2              |          | C12       | 0539001   | 4.7μF             | 1 B      | F04                  | 0431220   | AC Fuse 1A          |                        |
|           | 0311420   | C08P-2-N           |          | C13       | 0539001   | 4.7μF             | 2 B      |                      | 2310050   | P Type Fuse Holder  |                        |
| D02       | 0311310   | SS-5               |          | 2 B       | C14       | 0539001           | 4.7μF    | 1 B                  |           | 2310150             | P Type Fuse Holder T-1 |
| D03       | 0311320   | SS-5R              | 2 A, B   | R01       | 0107332   | 3.3kΩ             | 1 A      | 01                   | 2420170   | 18P Multi Connector |                        |
| ZD01      | 0315970   | EQA01-13R          | 1 B      | R02       | 0107332   | 3.3kΩ             | 1 A      | <b>*MODEL A only</b> |           |                     |                        |
| C01       | 0549206   | 1000μF 63V E.C.    | 1, 2 A   | R03       | 0107472   | 4.7kΩ             | 1 B      | R11-14               | 0135338   | 0.33Ω 5W Ce R       | 1, 2 B                 |
| C02       | 0515221   | 220μF 50V E.C.     | 1 A      | R04       | 0107102   | 1Ω                | 1 B      | F07, 08              | 0431290   | AC Fuse 6A          | 2 A, 1 A               |
| C03       | 0512101   | 100μF 16V E.C.     | 1 A, B   | R05       | 0107223   | 22kΩ              | 1 B      | <b>*MODEL B only</b> |           |                     |                        |
| C04       | 0515470   | 47μF 50V E.C.      | 1 B      | R06       | 0107333   | 33kΩ              | 1 B      | F07, 10              | 0431280   | AC Fuse 5A          | 2 A, 1 A               |
| C05       | 0515101   | 100μF 50V E.C.     | 1 A      | R07       | 0135338   | 0.33Ω             | 2 B      |                      |           |                     |                        |
| C06       | 0655103   | 10000pF 500V C.C.  | 2 A      | R08       | 0135338   | 0.33Ω             | 1 B      |                      |           |                     |                        |
|           |           |                    |          | R09       | 0135338   | 0.33Ω             | 2 B      |                      |           |                     |                        |

**Note:** In parts list above, there are two model numbers as model A and B. Regarding name of model A, B, please refer to "Notes" indicated on page 1.

### 6-2. F-2547 Protector Circuit Board (Stock No. 7593111)

Conductor Side

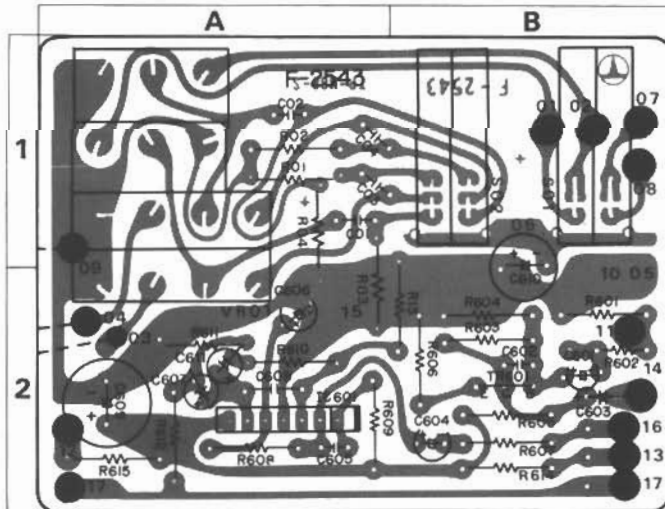


#### Parts List

| Parts No. | Stock No.  | Description       | Position | Parts No. | Stock No. | Description | Position  | Parts No. | Stock No. | Description | Position      |           |           |
|-----------|------------|-------------------|----------|-----------|-----------|-------------|-----------|-----------|-----------|-------------|---------------|-----------|-----------|
| TR01      | 0305951, 3 | 25C945 (Q, P, K)  | 1A       | D13, 14   | 0310970   | 1N460P      | Diode     | R03       | 0107223   | 22kΩ        | 1A            |           |           |
|           | 0306131, 3 | 25C1364 (6, 7, 8) |          |           |           | 0311060     |           | 1N460 P   |           | R04, 05     | 0107473       | 47kΩ      | 1A        |
| TR02      | 0305951, 3 | 25C945 (Q, P, K)  |          | 1A        | LD01      | 0319040     | GL-40R8B  | L.E.D.    | R06, 07   | 0107432     | 3.3kΩ         | 1/2W C.R. | 1, 2A     |
|           | 0306131, 3 | 25C1364 (6, 7, 8) |          |           |           |             |           |           |           | R08         | 0107152       | 1.5kΩ     | 1, 2A     |
| TR03      | 0305951, 3 | 25C945 (Q, P, K)  | 2B       | C01       | 0513330   | 33pF        | 25V E.C.  | R09, 10   | 0107224   | 220kΩ       | 1/2W C.R.     | 2B        |           |
|           | 0306131, 3 | 25C1364 (6, 7, 8) |          |           | C02       | 0514221     | 220pF     | 35V E.C.  | R11       | 0107152     | 1.5kΩ         | 1/2W C.R. | 1B, 2B    |
| TR04      | 0305951, 3 | 25C945 (Q, P, K)  | 2B       | C03       | 0510471   | 470pF       | 6.3V E.C. | R12       | 0107152   | 1.5kΩ       | 1/2W C.R.     | 2B        |           |
|           | 0306131, 3 | 25C1364 (6, 7, 8) |          |           | C04       | 0515109     | 1pF       | 50V E.C.  | 1A        | R13, 14     | 0201100       | 105Ω      | 1W M.R.   |
|           |            |                   |          | C05       | 0530470   | 47pF        | 6.3V E.C. | 1A        | R15, 16   | 0201101     | 105Ω          | 1W M.R.   | 2A, 1, 2A |
| D01       | 0310340    | 10D1              | 1A       | C06       | 0515109   | 1pF         | 50V E.C.  | 1A        | R17, 18   | 0155221     | 220Ω          | 5W Ce.C   | 1, 2B     |
| D02       | 0310340    | 10D1              | 2A       | C07       | 0515109   | 1pF         | 50V E.C.  | 2B        | R19, 20   | 0133100     | 105Ω          | 3W Ce.C   | 2B        |
| D03       | 0310340    | 10D1              | 1A       | C08       | 0601108   | 0.1pF       | 50V M.C.  | 2B        | R21, 22   | 0107180     | 18kΩ          | 1/2W C.R. | 2B, 1A, B |
| D04       | 0310330, 1 | 1N460             | 1A       | C09       | 0601108   | 0.1pF       | 50V M.C.  | 2A        | R23, 24   | 0107102     | 1kΩ           | 1/2W C.R. | 2B        |
| D05       | 0310330, 1 | 1N460             | 1A       | C10       | 0601108   | 0.1pF       | 50V M.C.  | 1, 2A     | RL01      | 1150101     | Relay         | 2A        |           |
| D06       | 0310330, 1 | 1N460             | 1A       | C11       | 0601108   | 0.1pF       | 50V M.C.  | 1A        |           | 1150280     | Relay         |           |           |
| D07       | 0310330, 1 | 1N460             | 1A       | C12       | 0535109   | 1pF         | 50V E.C.  | 1B        | VR01, 02  | 1035110     | 4.7kΩ B       | 2B        |           |
| D08, 09   | 0310970    | 1N460P            | 2B       | R01       | 0107104   | 100kΩ       | 1/2W C.R. | 1A        | S01       | 1102650     | Rotary Switch | 1B        |           |
| D11, 12   | 0311160    | 152473D           | 2B       | R02       | 0107100   | 10kΩ        | 1/2W C.R. |           |           |             |               |           |           |

### 6-3. F-2543 Tone Control Circuit Board (Stock No. 7561171)

Conductor Side



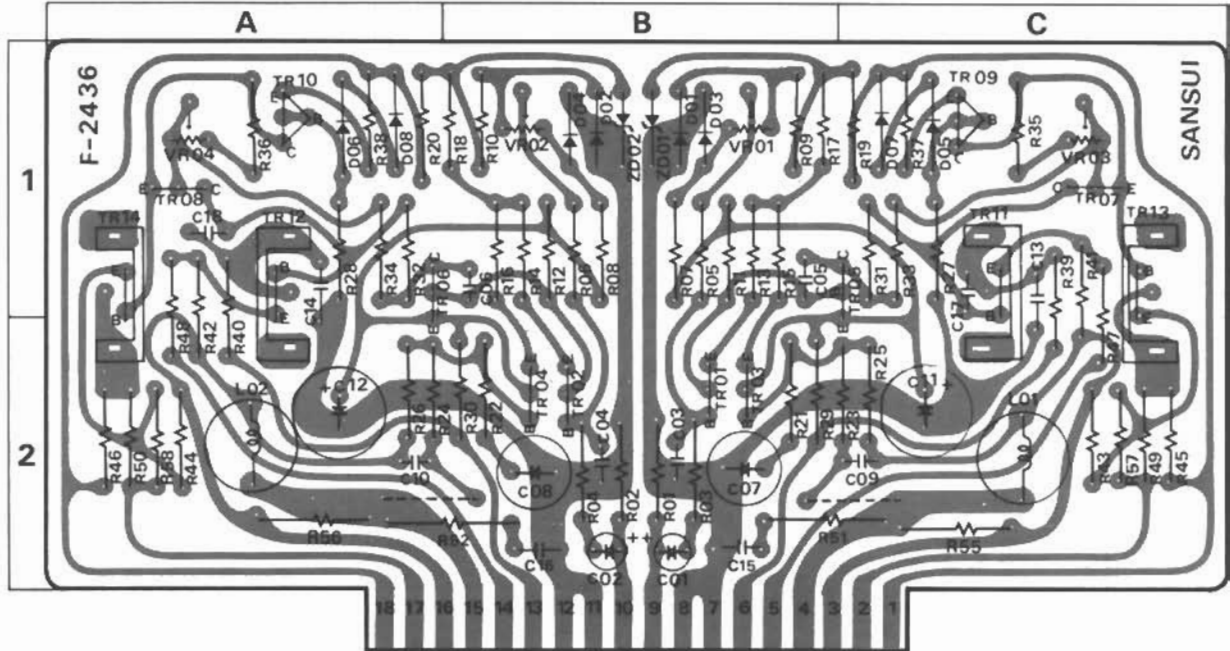
#### Parts List

| Parts No. | Stock No. | Description                  | Position | Parts No. | Stock No. | Description | Position | Parts No. | Stock No. | Description | Position     |       |
|-----------|-----------|------------------------------|----------|-----------|-----------|-------------|----------|-----------|-----------|-------------|--------------|-------|
| TR01      | 0306070-2 | 25C1313 (F, G, H) Transistor |          | C01, 02   | 0620471   | 470pF       | 50V P.C. | 1A        | VR01      | 1D60320, 1  | 250kΩ BX2    | 1, 2A |
| IC01      | 0360190   | 8A312 IC                     | 2A       | C03, 04   | 0600277   | 0.027pF     | 50V M.C. | 1A        | S01       | 1171120     | Lever Switch | 1B    |
|           |           |                              |          | C01       | 0600687   | 0.068pF     | 50V M.C. | 2B        |           |             |              |       |

| Parts No. | Stock No. | Description | Position  |           |
|-----------|-----------|-------------|-----------|-----------|
| C02       | 0657330   | 33pF        | 50V C.C.  | 2B        |
| C03       | 0519105   | 2.2pF       | 50V E.C.  | 2B        |
| C04       | 0519105   | 2.2pF       | 50V E.C.  | 2B        |
| C05       | 0657330   | 33pF        | 50V C.C.  | 2A        |
| C06       | 0502070   | 47pF        | 4.0V A.C. | 2, 1      |
| C07       | 0519101   | 1pF         | 50V E.C.  | 2A        |
| C08       | 0657331   | 330pF       | 50V C.C.  | 2A        |
| C09       | 0515101   | 100pF       | 50V E.C.  | 2A        |
| C10       | 0510471   | 470pF       | 6.3V E.C. | 1, 2B     |
| C11, 12   | 0519106   | 4.7pF       | 50V E.C.  | 2A        |
| R01, 02   | 0107183   | 18kΩ        |           | 1A        |
| R03, 04   | 0107824   | 820kΩ       |           | 1, 2A, 1A |
| R05       | 0107563   | 56kΩ        |           | 2B        |
| R06       | 0106222   | 2.2kΩ       |           | 2B        |
| R07       | 0107564   | 560kΩ       | 1/2W C.R. | 2B        |
| R08       | 0107563   | 56kΩ        |           | 2B        |
| R09       | 0107333   | 33kΩ        |           | 2B        |
| R10       | 0107561   | 560Ω        |           | 2B        |
| R11       | 0107222   | 2.2kΩ       |           | 2B        |
| R12       | 0107104   | 100kΩ       |           | 2A        |
| R13       | 0107154   | 150kΩ       |           | 2A        |
| R14       | 0107223   | 22kΩ        |           | 2A        |
| R15       | 0107224   | 220kΩ       | 1/2W C.R. | 2A        |
| R16       | 0107271   | 270Ω        |           | 2A        |
| R17       | 0107221   | 220Ω        |           | 2B        |
| R18       | 0107181   | 180Ω        |           | 2B        |
| R19       | 0107391   | 390Ω        | 1/2W C.R. | 2A        |

### 6-4. F-2436 Driver Circuit Board (Stock No. 7571201)

Conductor Side

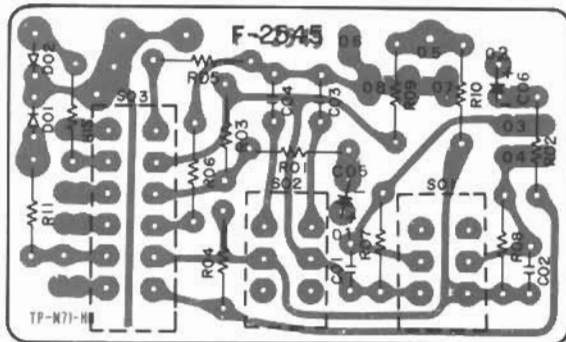


#### Parts List

| Parts No. | Stock No.  | Description       | Position    | Parts No. | Stock No. | Description      | Position   | Parts No. | Stock No. | Description | Position           |                            |
|-----------|------------|-------------------|-------------|-----------|-----------|------------------|------------|-----------|-----------|-------------|--------------------|----------------------------|
| TR01,02   | 0306271    | 25C1708 (G)       | 2 B         | C03,04    | 0657101   | 100pF 50V C.C.   | 2 B        | R25,26    | 0107124   | 120kΩ       | 1/W C.R.           |                            |
| TR03,04   | 0306271    | 25C1708 (G)       | 2 B         | C05,06    | 0657150   | 15pF 50V C.C.    | 1 B        | R27,28    | 0107333   | 33kΩ        | 1 C, 1 A           |                            |
| TR05,06   | 0300700, 1 | 25A818 (O, Y)     | 1,2C, 1,2A  | C07,08    | 0530101   | 100-μF 6.3V E.C. | 2 B        | R29,30    | 0191391   | 390Ω        | 1/4W Fuse Resistor |                            |
|           | 0300801, 2 | 25A849 (B, V)     | 1,2C, 1,2A  | C11,12    | 0519903   | 100-μF 80V E.C.  | 2 C, 2 A   | R31,32    | 0107390   | 391Ω        | 1 C, 1 A           |                            |
| TR07,08   | 0305871, 2 | 25C984 (B, C)     | Transistor  | C13,14    | 0651333   | 33000pF 50V C.C. | 1,2C, 1,2A | R33,34    | 0107332   | 33kΩ        | 1/4W C.R.          |                            |
| TR09,10   | 0306260, 1 | 25C1628 (O, Y)    | 1 C, 1 A    | C15,16    | 0601108   | 0.1-μF 50V M.C.  | 2 B        | R35,36    | 0107152   | 15kΩ        | 1 C, 1 A           |                            |
|           | 0306411, 2 | 25C1720 (B, V)    | 1 C, 1 A    | C17,18    | 0657101   | 100pF 50V C.C.   | 1 C, 1 A   | R37,38    | 0107181   | 180Ω        | 1 C, 2 A           |                            |
| TR11,12   | 0308531, 2 | 25D381 (2) (M, L) | 1,2C, 1,2A  | R01,02    | 0107124   | 120kΩ            | 2 B        | R39,40    | 0191100   | 10Ω         | 1/4W Fuse Resistor |                            |
| TR13,14   | 0303371, 2 | 25B536 (2) (M, L) | 1,2C, 1,2A  | R03,04    | 0107103   | 10kΩ             | 2 B        | R41,42    | 0107151   | 150Ω        | 1/4W C.R.          |                            |
|           |            |                   |             | R05,06    | 0107124   | 120kΩ            | 1 B        | R43,44    | 0191220   | 22Ω         | 1/4W Fuse Resistor |                            |
| D01,02    | 0311160    | 152473D           | Diode       | R07,08    | 0107683   | 68kΩ             | 1 B        | R45,46    | 0107151   | 150Ω        | 1/4W C.R.          |                            |
|           | 0311180    | 151588            |             | 1 B       | R09,10    | 0107223          | 22kΩ       | 1 B       | R47,48    | 0191479     | 47Ω                | 1/4W C.R.                  |
|           | 0311160    | 152473D           |             | 1 B       | R11,12    | 0107102          | 1kΩ        | 1 B       | R49,50    | 0191479     | 47Ω                | 1/4W Fuse Resistor         |
| D03,04    | 0311180    | 151588            | Varistor    | R13,14    | 0107220   | 22Ω              | 1 B        | R51,52    | 0153100   | 10Ω         | 3W Co.R.           |                            |
|           | 0311180    | 151588            |             | 1 C, 1 A  | R15,16    | 0107220          | 22Ω        | 1 B       | R01,02    | 0107183     | 18kΩ               | 1/4W C.R.                  |
|           | 0340120    | VD1212            |             | 1 C, 1 A  | R17,18    | 0107332          | 33kΩ       | 1 B       | VR01,02   | 1035350     | 4.7kΩ(B)           | DC OV Adjust Volume        |
| D05,06    | 0315850    | EQA01-09          | Zener diode | R19,20    | 0201827   | 82kΩ             | 1W C.R.    | 1 C, 1 A  | VR03,04   | 1035310     | 1kΩ(B)             | Bias Current Adjust Volume |
|           | 0315860    | EQA01-09R         |             | 1 B       | R21,22    | 0107182          | 1.8kΩ      | 1/4W C.R. |           |             |                    |                            |
|           | 0315870    | EQA01-09S         |             | 1 B       | R23,24    | 0107274          | 270kΩ      | 2 D, 2 A  |           |             |                    |                            |
| C01,02    | 0519103    | 0.47-μF 50V E.C.  | 2 B         |           |           |                  |            |           |           |             |                    |                            |

### 6-5. F-2545 Filter & Muting Circuit Board (Stock No. 7593091)

Conductor Side

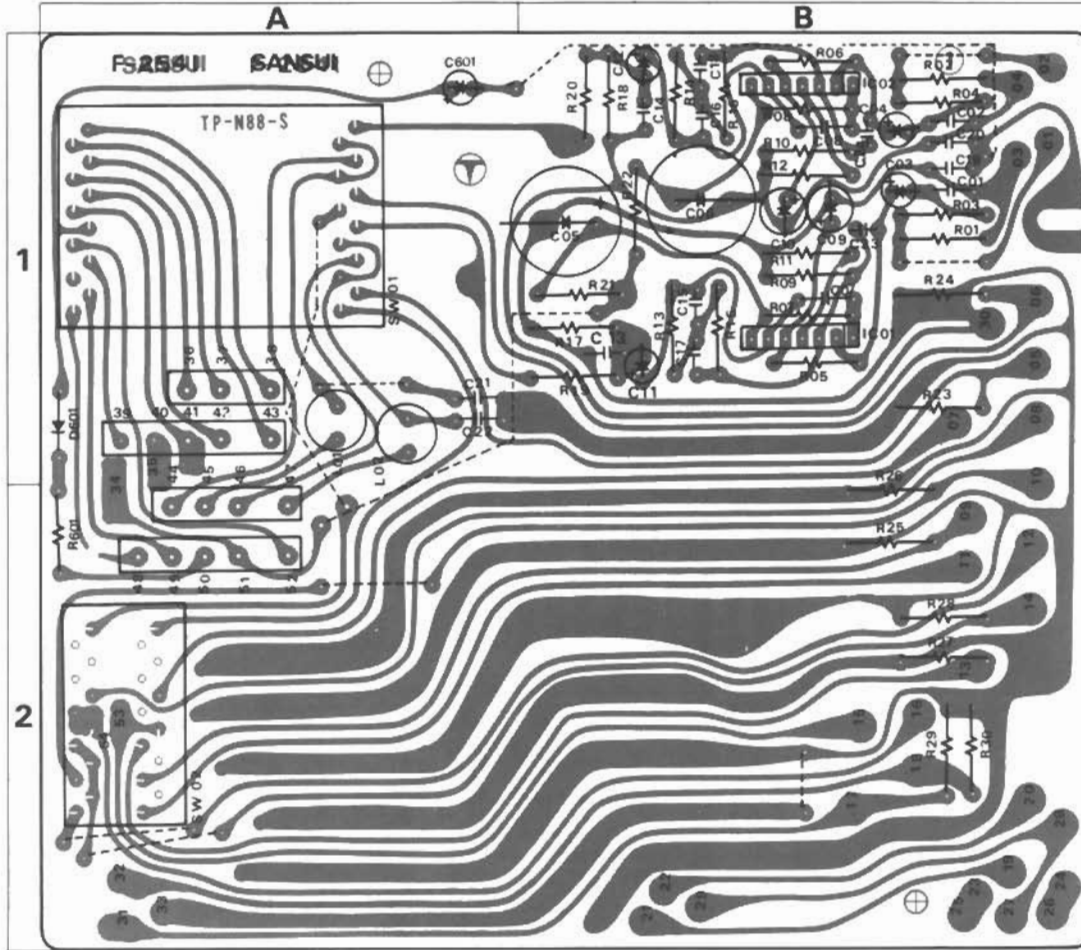


#### Parts List

| Parts No. | Stock No. | Description       |
|-----------|-----------|-------------------|
| D01,02    | 0311160   | 152473D           |
|           | 0311180   | 151588            |
| D03,04    | 0310970   | 1F460P            |
|           | 0311060   | 1F460P            |
| C01,02    | 0600187   | 0.018-μF 50V M.C. |
| C03,04    | 0600187   | 0.018-μF 50V M.C. |
| C05,06    | 0519105   | 2.2-μF 50V E.C.   |
| R01,02    | 0107332   | 33kΩ              |
| R03,04    | 0107273   | 27kΩ              |
| R05,06    | 0107332   | 33kΩ              |
| R07,08    | 0107824   | 820kΩ             |
| R09,10    | 0107153   | 15kΩ              |
| S01       | 1131170   | Push Switch       |

### 6-6. F-2541 Equalizer Circuit Board (Stock No. 7550731)

Conductor Side

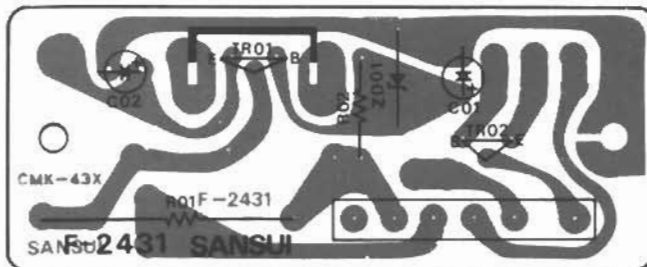


#### Parts List

| Parts No. | Stock No. | Description       | Position | Parts No. | Stock No. | Description       | Position      | Parts No. | Stock No. | Description        | Position      |
|-----------|-----------|-------------------|----------|-----------|-----------|-------------------|---------------|-----------|-----------|--------------------|---------------|
| IC01.02   | 0360190   | BA312 IC          | 1B       | C19.20    | 0657473   | 47000pF 50V C.C.  | 1B            | R19.20    | 0107221   | 220Ω               | 1B            |
| D901      | 0311160   | 1524730 Diode     | 1A       | C21.22    | 0600826   | 0.0082μF 50V M.C. | 1A            | R21.22    | 0107681   | 680Ω               | 1B            |
|           | 0311180   |                   |          | 151588    | C23.24    | 0657220           | 22pF 50V C.C. | 1B        | R23.24    | 0107224            | 220Ω          |
| C01.02    | 0657470   | 47pF 50V C.C.     | 1B       | C601      | 0515109   | 1μF 50V E.C.      | 1A            | R25.26    | 0107224   | 220Ω               | 2B            |
| C03.04    | 0519102   | 3.3μF 50V E.C.    | 1B       | C901      | 0515109   | 1μF 50V E.C.      | 1A            | R27.28    | 0107224   | 220Ω               | 2B            |
|           | 0573339   | 3.3μF 35V T.C.    | 1B       |           | 0657473   | 47000pF 50V C.C.  |               |           | R29.30    | 0107224            | 220Ω          |
| C05.06    | 0515471   | 470μF 50V E.C.    | 1B       | R01.02    | 0107563   | 56Ω               | 1B            | L01.02    | 4900090   | Inductor           | 1A            |
| C07.08    | 0657470   | 47pF 50V C.C.     | 1B       | R03.04    | 0107472   | 4.7Ω              | 1B            |           | S01       | 1103550            | Rotary Switch |
| C09.10    | 0510470   | 47μF 6.3V E.C.    | 1B       | R05.06    | 0107823   | 82Ω               | 1B            | S02       | 1102660   | Rotary Switch      |               |
| C11.12    | 0519101   | 1μF 50V E.C.      | 1B       | R07.08    | 0107394   | 390Ω              | 1/4W C.R.     |           | 2410570   | 5P Pin Assy Type D |               |
| C13.14    | 0657331   | 330pF 50V C.C.    | 1B       | R09.10    | 0107821   | 820Ω              | 1B            |           | 2410580   | 3P Pin Assy Type D |               |
| C15.16    | 0600276   | 0.0027μF 50V M.C. | 1B       | R11.12    | 0107330   | 33Ω               | 1B            |           | 2410590   | 4P Pin Assy Type D |               |
| C17.18    | 0600107   | 0.01μF 50V M.C.   | 1B       | R13.14    | 0107273   | 27Ω               | 1B            |           |           |                    |               |
|           |           |                   |          | R15.16    | 0107334   | 330Ω              | 1B            |           |           |                    |               |
|           |           |                   |          | R17.18    | 0107224   | 220Ω              | 1/4W C.R.     |           |           |                    |               |

### 6-7. F-2431 Power Supply Circuit Board (Stock No. 7501301)

Conductor Side



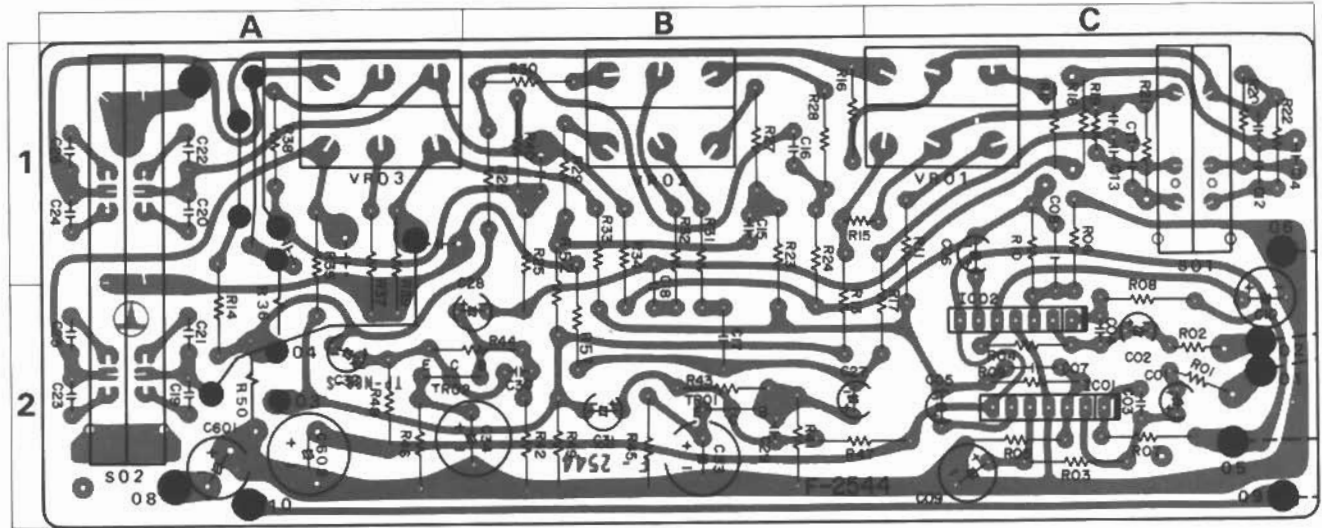
#### Parts List

| Parts No. | Stock No. | Description                 |
|-----------|-----------|-----------------------------|
| TR01      | 0308390-2 | 2SD313 (C. D. E) Transistor |
| D901      | 0310340   | 10D1                        |
|           | 0315970   | EQA01-13R Diode             |
| C01       | 0512221   | 220μF 16V E.C.              |
| C02       | 0512101   | 100μF 16V E.C.              |
| C901      | 0511471   | 470μF 10V E.C.              |
| R01       | 0183391   | 390Ω 3W C.e.R.              |
| R02       | 0107472   | 4.7Ω 1/4W C.R.              |
| R03       | 0183391   | 390Ω 3W C.e.R.              |



## 6-8. F-2544 Tone Control Circuit Board (Stock No. 7561191 MODEL A) (Stock No. 7561181 MODEL B)

Conductor Side



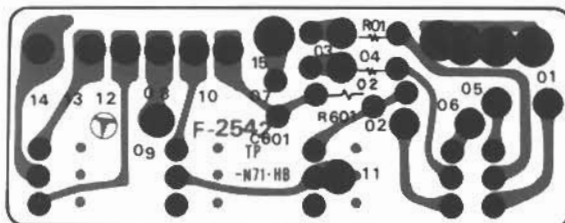
### Parts List

| Parts No. | Stock No. | Description                  | Position  | Parts No. | Stock No. | Description | Position  | Parts No.            | Stock No.  | Description      | Position  |
|-----------|-----------|------------------------------|-----------|-----------|-----------|-------------|-----------|----------------------|------------|------------------|-----------|
| TR01, 02  | 0306070-2 | 25C1313 (F, G, H) Transistor | 2B, 1A, B | R01, 02   | 0106222   | 2.2kΩ       | 2C        | R49, 50              | 0107224    | 220kΩ            | 2B, 2A    |
| IC01, 02  | 0360190   | BA312 IC                     | 2C        | R03, 04   | 0107154   | 150kΩ       | 2C        | R51, 52              | 0107273    | 27kΩ             | 1, 2B     |
| C01, 02   | 0519101   | 1μF 50V E.C.                 | 2C        | R05, 06   | 0107102   | 1kΩ         | 2C, 1C    | VR01                 | 1010930, 1 | 100kΩ B          | 1C        |
| C03, 04   | 0657330   | 33pF 50V C.C.                | 2C        | R07, 08   | 0107474   | 470kΩ       | 1C, 1, 2C | VR02                 | 1010930, 1 | 100kΩ B          | 1B        |
| C05, 06   | 0519001   | 10μF 25V E.C.                | 1C        | R13, 14   | 0107562   | 5.6kΩ       | 1B, 1C    | VR03                 | 1010930, 1 | 100kΩ B          | 1A        |
| C07, 08   | 0657101   | 100pF 50V C.C.               | 1C        | R15       | 0106274   | 270kΩ       | 1B        | <b>*MODEL A Only</b> |            |                  |           |
| C09, 10   | 0510470   | 47μF 6.3V E.C.               | 1, 2C     | R16       | 0107274   | 270kΩ       | 1C        | C11, 12              | 0600106    | 0.001μF 50V M.C. | 1C        |
| C13, 14   | 0600186   | 0.0018μF                     | 1C        | R17, 18   | 0107222   | 2.2kΩ       | 1, 2B     | C21, 22              | 0600127    | 0.012μF 50V M.C. | 2A, 1A    |
| C15, 16   | 0600336   | 0.0033μF                     | 1B        | R23, 24   | 0107682   | 6.8kΩ       | 1, 2B     | 1B                   | 0600127    | 0.012μF 50V M.C. | 2A, 1A    |
| C17, 18   | 0600476   | 0.0047μF                     | 1, 2B     | R25, 26   | 0107682   | 6.8kΩ       | 1/2W C.R. | R09, 10              | 0107123    | 12kΩ             | 1/2W C.R. |
| C19, 20   | 0600337   | 0.033μF                      | 1A        | R27, 28   | 0107562   | 5.6kΩ       | 1B        | R19                  | 0106824    | 820kΩ            | 1/2W C.R. |
| C23, 24   | 0600337   | 0.033μF                      | 1A        | R29, 30   | 0107562   | 5.6kΩ       | 1B        | R20                  | 0107824    | 820kΩ            | 1/2W C.R. |
| C27, 28   | 0519105   | 2.2μF 50V E.C.               | 2A, B     | R31, 32   | 0107223   | 2.2kΩ       | 1, 2B     | R21, 22              | 0107824    | 820kΩ            | 1/2W C.R. |
| C29, 30   | 0657330   | 33pF 50V C.C.                | 2B        | R33, 34   | 0107153   | 15kΩ        | 1, 2A     | S01                  | 1171240    | Lever Switch     | 1C        |
| C31, 32   | 0519001   | 10μF 25V E.C.                | 2A        | R35, 36   | 0107153   | 15kΩ        | 1, 2A, 1A | S02                  | 1171220    | Lever Switch     | 1, 2A     |
| C33, 34   | 0510221   | 220μF 6.3V E.C.              | 2A, B     | R37, 38   | 0107222   | 2.2kΩ       | 1, 2A, 1A | <b>*MODEL B Only</b> |            |                  |           |
| C601      | 0510471   | 470μF 6.3V E.C.              | 2A        | R39, 40   | 0107224   | 220kΩ       | 1, 2A, 1B | Rv, 10               | 0107103    | 10kΩ             | 1/2W C.R. |
| C602      | 0514221   | 220μF 35V E.C.               | 2A        | R41, 42   | 0107124   | 120kΩ       | 2B        |                      |            |                  |           |
|           |           |                              |           | R43, 44   | 0107474   | 470kΩ       | 2B, 2A, B |                      |            |                  |           |
|           |           |                              |           | R45, 46   | 0107331   | 330kΩ       | 2B, 2A    |                      |            |                  |           |
|           |           |                              |           | R47, 48   | 0107562   | 5.6kΩ       | 2B, C, 2A |                      |            |                  |           |

Note: In parts list above, there are two model numbers as model A and B.  
Regarding name of model A, B, please refer to "Notes" indicated on page 1.

## 6-9. F-2542 Accessory Switch Circuit Board (Stock No. 7593071)

Conductor Side

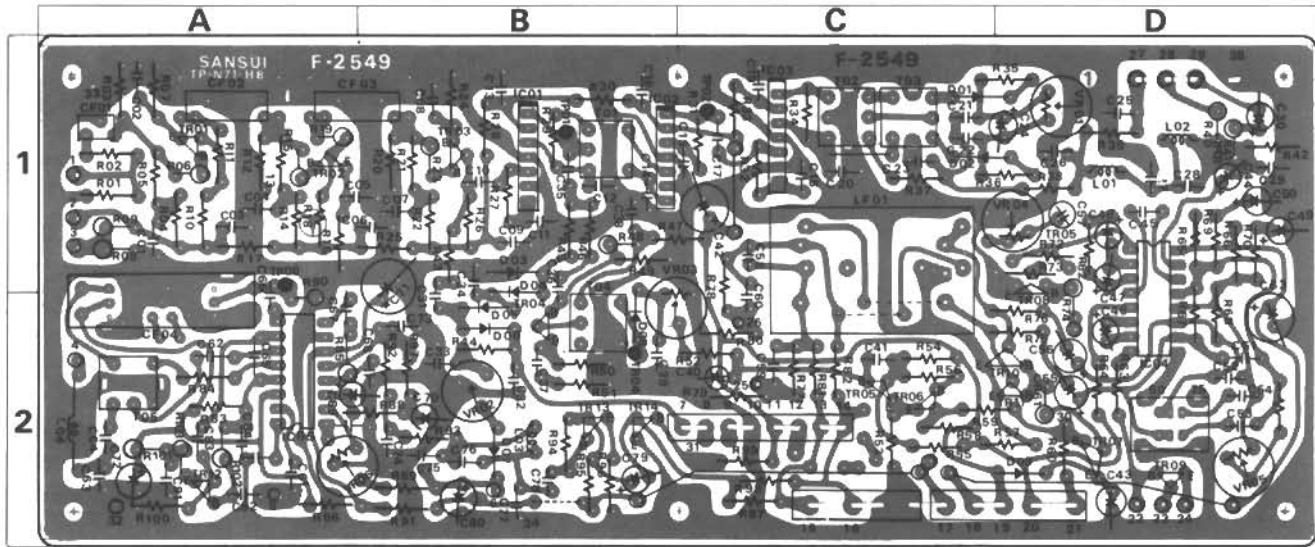


### Parts List

| Parts No. | Stock No. | Description        |
|-----------|-----------|--------------------|
| C601      | 0512330   | 33pF 1&V E.C.      |
| R01, 02   | 0107822   | 82kΩ               |
| R601      | 0107102   | 1kΩ                |
| Rv01      | 0107681   | 680Ω               |
| S01       | 1131160   | Push Switch        |
| S02       | 1171120   | Lever Switch       |
|           | 2410700   | 6P Pin Assy Type F |

## 6-10. F-2549 FM, AM Tuner Circuit Board (Stock No. 7593171)

Conductor Side



### Parts List

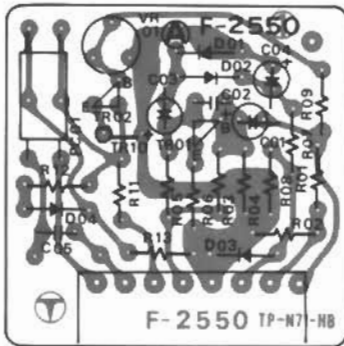
| Parts No. | Stock No.  | Description   | Position | Parts No. | Stock No. | Description       | Position  | Parts No. | Stock No. | Description | Position  |
|-----------|------------|---------------|----------|-----------|-----------|-------------------|-----------|-----------|-----------|-------------|-----------|
| TR01      | 0306113    | 25C738 (D)    | 1A       | C24       | 0512100   | 10µF 16V E.C.     | 1D        | R07       | 0113122   | 1.2kΩ       | 1/4W S.R. |
| TR02      | 0306113    | 25C738 (D)    | 1A       | C25       | 0657223   | 22000pF 50V C.C.  | 1D        | R08       | 0106333   | 33kΩ        | 1A        |
| TR03      | 0306112    | 25C738 (C)    | 1B       | C26       | 0620181   | 180pF 50V P.C.    | 1D        | R09       | 0106104   | 100kΩ       | 1/4W C.R. |
| TR04      | 0306112    | 25C738 (C, D) | 2B       | C27       | 0620331   | 330pF 50V P.C.    | 1D        | R10       | 0113331   | 330Ω        | 1A        |
| TR05      | 0305731    | 25C711 (E, F) | 2C       | C28       | 0620101   | 100pF 50V P.C.    | 1D        | R11       | 0113101   | 100Ω        | 1A        |
| TR06      | 0305731    | 25C711 (E, F) | 2C       | C29       | 0620151   | 150pF 50V P.C.    | 1D        | R12       | 0113332   | 3.3kΩ       | 1/4W S.R. |
| TR07      | 0300281    | 25A628 (D, E) | 2D       | C31       | 0657221   | 220pF             | 1, 2B     | R13       | 0113471   | 470Ω        | 1A        |
| TR08      | 0305731    | 25C711 (E)    | 1, 2D    | C32       | 0657221   | 220pF             | 2B        | R14       | 0113102   | 1.0kΩ       | 1A        |
| TR09      | 0300221    | 25A562 (Y)    | 2D       | C33       | 0657223   | 22000pF           | 2B        | R15       | 0106151   | 150Ω        | 1/4W C.R. |
| TR10, 11  | 0305371    | 25C733 (Y)    | 2D       | C34       | 0657221   | 220pF             | 1, 2B     | R16       | 0113122   | 1.2kΩ       | 1A        |
|           | 0305641    | 25C735 (Y)    | 2D       | C35       | 0657102   | 1000pF 50V C.C.   | 1B        | R17       | 0113479   | 4.7kΩ       | 1/4W S.R. |
| TR12      | 0300281    | 25A628 (D)    | 2A       | C36       | 0657102   | 1000pF            | 1, 2B     | R18       | 0113331   | 300Ω        | 1A        |
| TR13      | 0306091    | 25C1312R (G)  | 2B       | C37       | 0657223   | 22000pF           | 2B        | R19       | 0106101   | 100Ω        | 1/4W C.R. |
| TR14      | 0305371    | 25C733 (Y)    | 2B       | C38       | 0657223   | 22000pF           | 1B        | R20       | 0113222   | 2.2kΩ       | 1B        |
|           |            |               |          | C39       | 0657101   | 1000pF            | 2B        | R21       | 0113471   | 470Ω        | 1/4W S.R. |
| IC01      | 0360120    | µPC555H       | 1B       | C40       | 0519101   | 1µF 50V E.C.      | 2C        | R22       | 0113562   | 5.6kΩ       | 1B        |
| IC02      | 0360120    | µPC555H       | 1B       | C41       | 0657221   | 220pF 50V C.C.    | 2C        | R23       | 0106221   | 220Ω        | 1/4W C.R. |
| IC03      | 0360120    | µPC555H       | 1C       | C42       | 0512470   | 47µF 16V E.C.     | 1C        | R24       | 0113391   | 390Ω        | 1B        |
| IC04      | 0360320    | HA1196        | 1, 2D    | C44       | 0573688   | 0.68µF 35V T.C.   | 1D        | R25       | 0113476   | 4.7kΩ       | 1B        |
| IC05      | 0360150    | HA 1151       | 2A       | C45       | 0600477   | 0.04µF 50V M.C.   | 1D        | R26       | 0113102   | 1.0kΩ       | 1B        |
| D01       | 0311060    | 1N60-P        | 2C, B    | C46       | 0573228   | 0.22µF 35V T.C.   | 2D        | R27       | 0113102   | 1.0kΩ       | 1B        |
| D02       | 0311060    | 1N60-P        | 2C, B    | C47       | 0519104   | 1.5µF 50V E.C.    | 1D        | R28       | 0113479   | 4.7kΩ       | 1B        |
| D03       | 0310330, 1 | 1N60          | 1B       | C48       | 0519102   | 3.3µF 50V E.C.    | 1D        | R29       | 0113103   | 1.0kΩ       | 1B        |
| D04       | 0310330, 1 | 1N60          | 1, 2B    | C49, 50   | 0512100   | 10µF 16V E.C.     | 1D        | R30       | 0113479   | 4.7kΩ       | 1B        |
| D05       | 0310330, 1 | 1N60          | 2B       | C51, 52   | 0600126   | 0.0012µF 50V M.C. | 2D        | R31       | 0113102   | 1.0kΩ       | 1C        |
| D06       | 0310330, 1 | 1N60          | 2B       | C53, 54   | 0620511   | 510pF 50V P.C.    | 2D        | R32       | 0113102   | 1.0kΩ       | 1C        |
| D07       | 0310330, 1 | 1N60          | 2B       | C55, 56   | 0519101   | 1µF 50V E.C.      | 2D        | R33       | 0113479   | 4.7kΩ       | 1C        |
| D08       | 0310330, 1 | 1N60          | 2B       | C57       | 0629005   | 360pF 50V P.C.    | 1D        | R34       | 0113682   | 6.8kΩ       | 1C        |
| D09       | 0311160    | 152473D       | 2B       | C59, 60   | 0600186   | 0.0018µF 50V M.C. | 1, 2C     | R35       | 0113102   | 1.0kΩ       | 1C, D     |
|           | 0311180    | 151583        |          | C62       | 0657103   | 10000pF 50V C.C.  | 2A        | R36       | 0113102   | 1.0kΩ       | 1C, D     |
| D10       | 0311160    | 152473D       |          | C63       | 0669400   | 15pF 50V C.C.     | 2D        | R37       | 0113101   | 100Ω        | 1C        |
|           | 0311180    | 151588        |          | C64       | 0620361   | 360pF 50V P.C.    | 2A        | R38       | 0113471   | 470Ω        | 1D        |
| D11       | 0311160    | 152473D       |          | C66       | 0657103   | 10000pF           | 1, 2A     | R39       | 0113153   | 15kΩ        | 1D        |
|           | 0311180    | 151588        |          | C67       | 0657102   | 1000pF            | 2A        | R42       | 0113103   | 1.0kΩ       | 1D        |
|           |            |               |          | C68       | 0657102   | 1000pF            | 2B        | R43       | 0113102   | 1.0kΩ       | 1B        |
|           |            |               |          | C69       | 0515339   | 3.3µF 50V         | 2A, B     | R44       | 0113222   | 2.2kΩ       | 2B        |
| C01       | 0657223    | 22000pF       | 1A       | C70       | 0512100   | 10µF 16V          | 2B        | R45       | 0113102   | 1.0kΩ       | 1B        |
| C02       | 0657223    | 22000pF       | 1A       | C71       | 0512101   | 100µF 16V         | 1, 2B     | R46       | 0113332   | 3.3kΩ       | 1B        |
| C03       | 0657223    | 22000pF       | 1A       | C72       | 0512470   | 47µF 16V          | 2A        | R47       | 0113222   | 2.2kΩ       | 1B, C     |
| C04       | 0657223    | 22000pF       | 1A       | C73       | 0600337   | 0.033µF           | 2B        | R48       | 0106183   | 18kΩ        | 1/4W C.R. |
| C05       | 0657223    | 22000pF       | 1A, B    | C74       | 0600337   | 0.033µF           | 2B        | R49       | 0113103   | 1.0kΩ       | 1B        |
| C06       | 0657223    | 22000pF       | 1A, B    | C75       | 0600107   | 0.01µF            | 2B        | R50       | 0113102   | 1.0kΩ       | 2B        |
| C07       | 0657223    | 22000pF       | 1B       | C76       | 0600107   | 0.01µF            | 2B        | R51       | 0113820   | 82Ω         | 2B        |
| C08       | 0657223    | 22000pF       | 1B       | C77       | 0600227   | 0.022µF           | 2B        | R52       | 0113683   | 68kΩ        | 2C        |
| C09       | 0657223    | 22000pF       | 1B       | C78       | 0600157   | 0.015µF           | 2B        | R53       | 0113820   | 82Ω         | 2C        |
| C10       | 0657102    | 1000pF        | 1B       | C79       | 0519101   | 1µF 50V E.C.      | 2B        | R54       | 0113473   | 4.7kΩ       | 1/4W S.R. |
| C11       | 0657223    | 22000pF       | 1B       | C80       | 0510470   | 47µF 6.3V E.C.    | 2B        | R56       | 0113104   | 100kΩ       | 2C        |
| C12       | 0657223    | 22000pF       | 1B       | C81       | 0657223   | 22000pF           | 2A        | R57       | 0113104   | 100kΩ       | 2C, D     |
| C13       | 0657223    | 22000pF       | 1B       | C82       | 0657102   | 10000pF           | 2A        | R58       | 0113562   | 5.6kΩ       | 2C        |
| C14       | 0657223    | 22000pF       | 1B       | C83       | 0657331   | 330pF             | 2A        | R59       | 0113333   | 33kΩ        | 2C, D     |
| C15       | 0657223    | 22000pF       | 1C       | C84       | 0657223   | 22000pF           | 2A        | R61       | 0106472   | 4.7kΩ       | 1/4W C.R. |
| C16       | 0657223    | 22000pF       | 1B       | C85       | 0512470   | 47µF 16V E.C.     | 2A        | R62       | 0113102   | 1.0kΩ       | 1D        |
| C17       | 0657102    | 1000pF        | 1C       |           |           |                   |           | R63       | 0113221   | 220Ω        | 2D        |
| C18       | 0657223    | 22000pF       | 1C       | R01       | 0113102   | 1.0kΩ             | 1A        | R64       | 0113104   | 100kΩ       | 2D        |
| C19       | 0657223    | 22000pF       | 1C       | R02       | 0113101   | 100Ω              | 1A        | R65, 66   | 0113273   | 27kΩ        | 1D        |
| C20       | 0657223    | 22000pF       | 1C       | R03       | 0113332   | 3.3kΩ             | 1/4W S.R. | R67, 68   | 0113473   | 4.7kΩ       | 1, 2D     |
| C21       | 0657151    | 150pF         | 1C       | R04       | 0113102   | 1.0kΩ             | 1A        | R69, 70   | 0113682   | 6.8kΩ       | 1D        |
| C22       | 0657151    | 150pF         | 1C       | R05       | 0113471   | 470Ω              | 1A        | R71       | 0113103   | 1.0kΩ       | 2D        |
| C23       | 0657151    | 150pF         | 1C       | R06       | 0106151   | 150Ω              | 1/4W C.R. | R72       | 0107184   | 180kΩ       | 1/4W C.R. |

| Parts No. | Stock No. | Description      | Position |
|-----------|-----------|------------------|----------|
| R73       | 0113151   | 150Ω 1/4 W S.R.  | 1 D      |
| R74       | 0106104   | 180kΩ 1/4 W C.R. | 1, 2 D   |
| R75, 76   | 0113332   | 3.3kΩ 2 D        | 2 D      |
| R77, 78   | 0113333   | 33kΩ 1, 2 C      | 1, 2 C   |
| R79, 80   | 0113223   | 22kΩ 2 C         | 2 C      |
| R81, 82   | 0113182   | 1.8kΩ 1/4 W S.R. | 2 C      |
| R83       | 0113392   | 3.9kΩ 2 A        | 2 A      |
| R84       | 0113100   | 10Ω 2 A          | 2 A      |
| R85       | 0106331   | 330Ω 1/4 W C.R.  | 2 A      |
| R86       | 0113151   | 150Ω 2 A         | 2 A      |
| R87       | 0113103   | 10kΩ 1/4 W S.R.  | 2 B      |
| R88       | 0113272   | 2.7kΩ 2 A        | 2 A      |
| R89       | 0113152   | 1.5kΩ 1/4 W S.R. | 2 B      |
| R90       | 0106562   | 5.6kΩ 1/4 W C.R. | 2 A      |
| R91       | 0113101   | 100Ω 2 B         | 2 B      |
| R92       | 0113182   | 1.8kΩ 2 B        | 2 B      |
| R93       | 0113102   | 1.0kΩ 1/4 W S.R. | 2 B      |
| R94       | 0113224   | 220kΩ 2 B        | 2 B      |
| R95       | 0113561   | 560Ω 2 B         | 2 B      |

| Parts No. | Stock No. | Description      | Position |
|-----------|-----------|------------------|----------|
| R96       | 0113221   | 220Ω 2 B         | 2 B      |
| R97, 98   | 0113332   | 3.3kΩ 1/4 W S.R. | 2 C      |
| R100      | 0113332   | 3.3kΩ 2 A        | 2 A      |
| R101      | 0106152   | 1.5kΩ 1/4 W      | 2 A      |
| R102      | 0106473   | 47kΩ 2 A         | 2 A      |
| R103      | 0106390   | 39Ω 2 A          | 2 A      |
| R104      | 0106123   | 12kΩ 1/4 W C.R.  | 2 A      |
| R901      | 0106473   | 47kΩ 2 A         | 2 A      |
| R902      | 0106153   | 15kΩ 2 A         | 2 A      |
| R903      | 0107273   | 27kΩ 2 A         | 2 A      |
| L01       | 4900250   | Inductor         | 1 D      |
| L02       | 4900240   | Inductor         | 1 D      |
| L03       | 4900220   | Inductor         | 2 B      |
| L04       | 4290011   | Choke Coil       | 2 A      |
| T01       | 4235860   | FM IF Coil       | 1 B      |
| T02       | 4235750   | FM IF Coil       | 1 C      |
| T03       | 4235760   | FM IF Coil       | 1 C      |
| T04       | 4235940   | FM IF Coil       | 2 B      |

| Parts No. | Stock No. | Description        | Position |
|-----------|-----------|--------------------|----------|
| T05       | 4220550   | OSC Coil           | 2 A      |
| CF01      | 0910150   | Ceramic Filter     | 1 A      |
| CF02      | 0910330   | Low Pass Filter    | 1 A      |
| CF03      | 0910330   | Low Pass Filter    | 1 A, B   |
| CF04      | 0910310   | Ceramic Filter     | 1, 2 A   |
| LF01      | 0910210   | Low Pass Filter    | 1, 2 C   |
| VR01      | 1035190   | 22kΩ B             | 1 D      |
| VR02      | 1035170   | 47kΩ B             | 2 B      |
| VR03      | 1035170   | 47kΩ B             | 1 B, C   |
| VR04      | 1034250   | 4.7kΩ B            | 1 C, D   |
| VR05      | 1035210   | 220kΩ B            | 2 D      |
| VR06      | 1035110   | 4.7kΩ B            | 2 A, B   |
| S01       | 1110270   | Slide Switch       |          |
|           | 2410570   | 5P Pin Assy Type D |          |
|           | 2410590   | 4P Pin Assy Type D |          |
|           | 2410740   | 8P Pin Assy Type A |          |

### 6-11. F-2550 Multi-Path Circuit Board (Stock No. 7593181)



#### Parts List

| Parts No. | Stock No.  | Description              |
|-----------|------------|--------------------------|
| TR01      | 0305731, 2 | 25C711 (E, F) Transistor |
| TR02      | 0305733    | 25C711 (G) Transistor    |
| D01       | 0310330, 1 | 1N60                     |
| D02       | 0310330, 1 | 1N60                     |
| D03       | 0310330, 1 | 1N60                     |
| D04       | 0310330, 1 | 1N60                     |
| PC01      | 0920060    | Photo-cell Lamp          |
| C01       | 0515109    | 1μF 50V E.C.             |
| C02       | 0657101    | 100μF 50V C.C.           |
| C03       | 0513479    | 4.7μF 25V E.C.           |
| C04       | 0512100    | 10μF 16V E.C.            |
| C05       | 0600107    | 0.01μF 50V M.C.          |

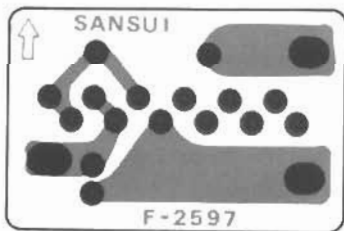
| Parts No. | Stock No. | Description              |
|-----------|-----------|--------------------------|
| R01       | 0113473   | 47kΩ                     |
| R02       | 0113104   | 100kΩ                    |
| R03       | 0113563   | 56kΩ                     |
| R04       | 0113103   | 10kΩ                     |
| R05       | 0113182   | 1.8kΩ 1/4 W S.R.         |
| R06       | 0113331   | 330Ω                     |
| R07       | 0113392   | 3.9kΩ                    |
| R08       | 0113223   | 22kΩ                     |
| R09       | 0113153   | 15kΩ                     |
| R10       | 0113479   | 4.7kΩ                    |
| R11       | 0113102   | 1.0kΩ 1/4 W S.R.         |
| R12       | 0113561   | 560Ω                     |
| R13       | 0113470   | 47Ω                      |
| VR01      | 1035190   | 100kΩ B                  |
|           | 2420300   | BP Connector Assy Type A |

### 6-12. F-1470 Lamp Circuit Board (Stock No. 7593151)

#### Parts List

| Parts No. | Stock No. | Description             |
|-----------|-----------|-------------------------|
| R01       | 0191180   | 18Ω 1/4 W Fuse Resistor |
| PE01, 04  | 0420040   | 7V 320MA                |

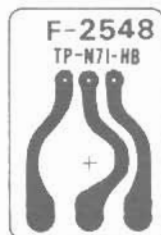
### 6-13. F-2597 Connector Circuit Board (Stock No. 7593901)



#### Parts List

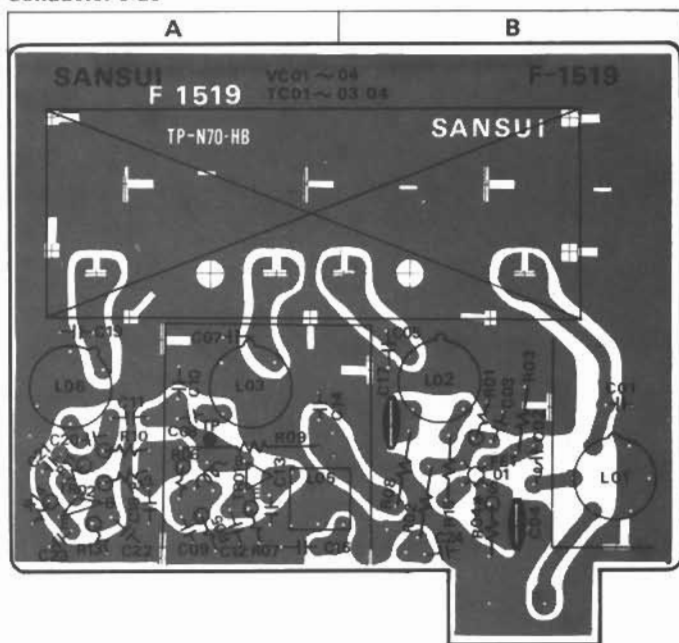
| Parts No. | Stock No. | Description      |
|-----------|-----------|------------------|
| C01       | 0515109   | 1μF 50V E.C.     |
| R01       | 0107472   | 4.7kΩ 1/4 W C.R. |

### 6-14. F-2548 Protector Connector Circuit Board (Stock No. 7593131)



### 6-15. F-1519 FM Pack (Stock No. 7510650)

Conductor Side



| Parts No.        | Stock No. | Description | Position          |
|------------------|-----------|-------------|-------------------|
| C01              | 0669342   | 5.6pF       |                   |
| C02              | 0657102   | 1000pF      | B                 |
| C03              | 0657223   | 0.022μF     | B                 |
| C04              | 0659015   | 2200pF      | B                 |
| C05              | 0669345   | 10pF        | B                 |
| C06              | 0679023   | 0.39pF      | B                 |
| Capacitor        |           |             |                   |
| C07              | 0669345   | 10pF        | A                 |
| C08              | 0669210   | 10pF        | A                 |
| C09              | 0657102   | 1000pF      | A                 |
| C10              | 0661220   | 22pF        | A                 |
| C11              | 0669202   | 2.2pF       | A                 |
| C12              | 0657223   | 0.022μF     | A                 |
| C13              | 0660121   | 120pF       | A                 |
| C14              | 0657223   | 0.022μF     | A                 |
| C16              | 0660331   | 330pF       | A                 |
| C17              | 0659015   | 2200pF      | B                 |
| C18              | 0657223   | 0.022μF     | A                 |
| C19              | 0669375   | 15pF        | A                 |
| C20              | 0657102   | 1000pF      | A                 |
| C21              | 0669209   | 8.2pF       | A                 |
| C22              | 0657223   | 0.022μF     | A                 |
| 50V C.C.         |           |             |                   |
| C23              | 0661220   | 22pF        | A                 |
| C24              | 0657223   | 0.022μF     | B                 |
| R01              | 0106105   | 1MΩ         | 1/4W C.R.(ELR.) B |
| R02              | 0113104   | 100kΩ       | 1/4W S.R. B       |
| R03              | 0113104   | 100kΩ       | 1/4W S.R. B       |
| (3SK41(1)K)      |           |             |                   |
| R04              | 0106101   | 100Ω        | B                 |
|                  | 0106680   | 68Ω         | (3SK41(1)L) B     |
| R05              | 0106682   | 6.8kΩ       | 1/4W C.R.(ELR.) A |
| R06              | 0106123   | 12kΩ        | A                 |
| R07              | 0106392   | 3.9kΩ       | A                 |
| R08              | 0113121   | 120Ω        | 1/4W S.R. B       |
| R09              | 0113271   | 270Ω        | 1/4W S.R. A       |
| R10              | 0106392   | 3.9kΩ       | A                 |
| R11              | 0106121   | 120Ω        | A                 |
| R12              | 0106682   | 6.8kΩ       | 1/4W C.R. A       |
| R13              | 0106222   | 2.2kΩ       | A                 |
| R14              | 0106182   | 1.8kΩ       | A                 |
| R15              | 0113680   | 68Ω         | 1/4W S.R. B       |
| 2260010 Test Pin |           |             |                   |

#### Parts List

| Parts No. | Stock No.  | Description    | Position   | Parts No. | Stock No. | Description               | Position |
|-----------|------------|----------------|------------|-----------|-----------|---------------------------|----------|
| TR01      | 0305800, 1 | 2SC1047 (A, B) | Transistor | L04       | 4290110   | Choke Coil                | A        |
| TR02      | 0305790, 1 | 2SC930 (C, D)  |            | A         | L05       | 4235910                   | IF Coil  |
| FET01     | 0370131, 2 | 3SK41 (K, L)   | FET        | L06       | 4220430   | OSC Coil                  | A        |
| L01       | 4200640    | Antenna Coil   | B          | VC01~04   | 1220130   | FM, AM Variable Capacitor | A, B     |
| L02       | 4210330    | RF Coil (1)    | B          | TC01~03   |           |                           | A, B     |
| L03       | 4210220    | RF Coil (2)    | A          | TC04      | 1230090   | FM OSC Trimmer            | A, B     |

### 6-16 Figures

#### Semiconductor

| SEMICONDUCTORS   | COMPLETE CIRCUIT BOARD                         | SEMICONDUCTORS    | COMPLETE CIRCUIT BOARD | SEMICONDUCTORS                                  | COMPLETE CIRCUIT BOARD               |
|--|--|-------------------|------------------------|---|--------------------------------------|
| 2SA849<br>2SC945<br>2SC1364                                  | F-2436<br>F-2547                               | BA312             | F-2541<br>F-2544       | 1N60<br>1N60P                                   | F-2545<br>F-2547<br>F-2549<br>F-2552 |
| 2SC984   | F-2436   | μPC555A           | F-2431                 | 10D1  | F-2431<br>F-2547                     |
| 2SA628<br>2SC711<br>2SC738D<br>2SC1312<br>2SC1313<br>2SC1708 | F-2436<br>F-2543<br>F-2544<br>F-2549<br>F-2550 | HA1151            | F-2549                 | VD1212  | F-2436                               |
| 2SC1720  | F-2436   | 2SA818<br>2SC1628 | F-2436                 | 1S2473D<br>1S1588                               | F-2436<br>F-2541<br>F-2545<br>F-2549 |
| 2SB536<br>2SD313<br>2SD381                                   | F-2431<br>F-2436                               | HA1196            | F-2549                 | EQA01-09<br>EQA01-09R<br>EQA01-09S<br>EQA01-13R | F-2431<br>F-2436                     |

#### Connector & Pin Ass'y

##### Connector

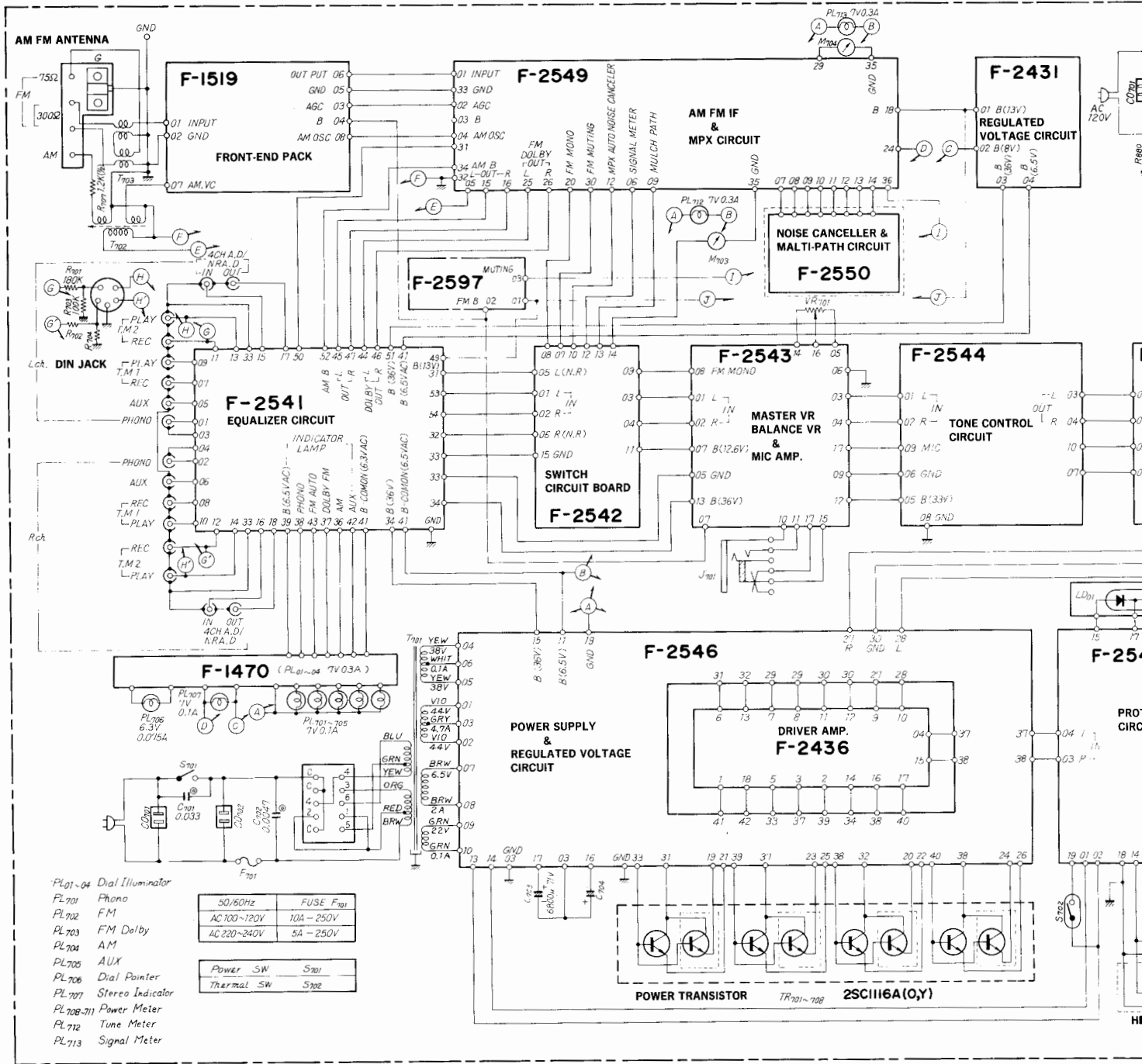
| Type A (3~10 pins) | Type B (2~6 pins) | Stock No.      |
|--------------------|-------------------|----------------|
|                    |                   | 2 Pins 2420250 |
|                    |                   | 3 Pins 2420220 |
|                    |                   | 4 Pins 2420230 |
|                    |                   | 5 Pins 2420210 |
|                    |                   | 6 Pins 2420240 |

NOTE: Since stock number of female connectors (type B) with wires are not shown in each parts list of Complete circuit board, please refer to the above parts list when ordering the connector.

##### Pin Ass'y

| Type A (3~10 pins) | Type B (3~10 pins) | Type C (3~10 pins) |
|--------------------|--------------------|--------------------|
|                    |                    |                    |
| Type D (2~6 pins)  | Type E (2~6 pins)  | Type F (2~6 pins)  |
|                    |                    |                    |

# 7. SCHEMATIC DIAGRAM

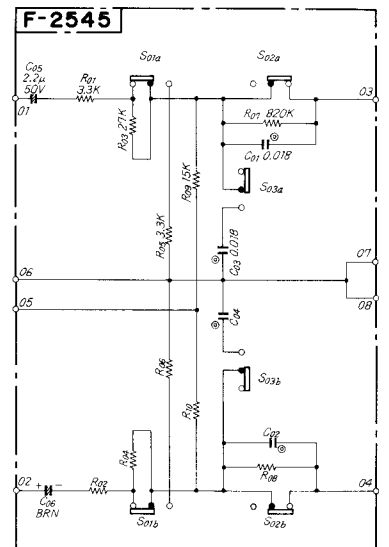
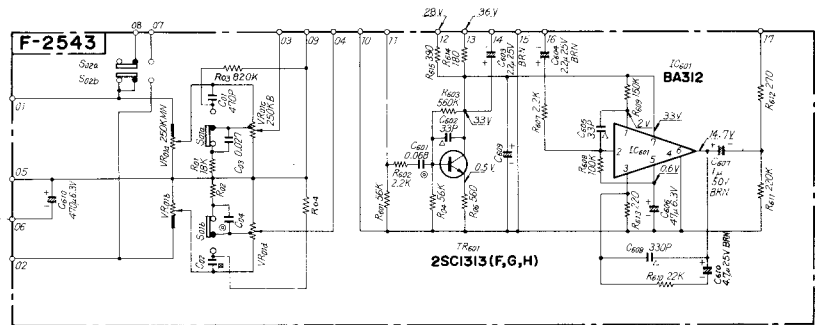
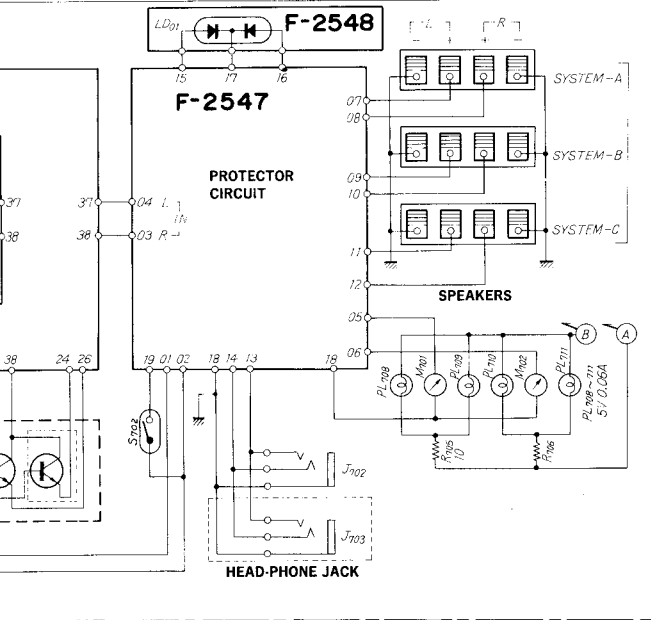
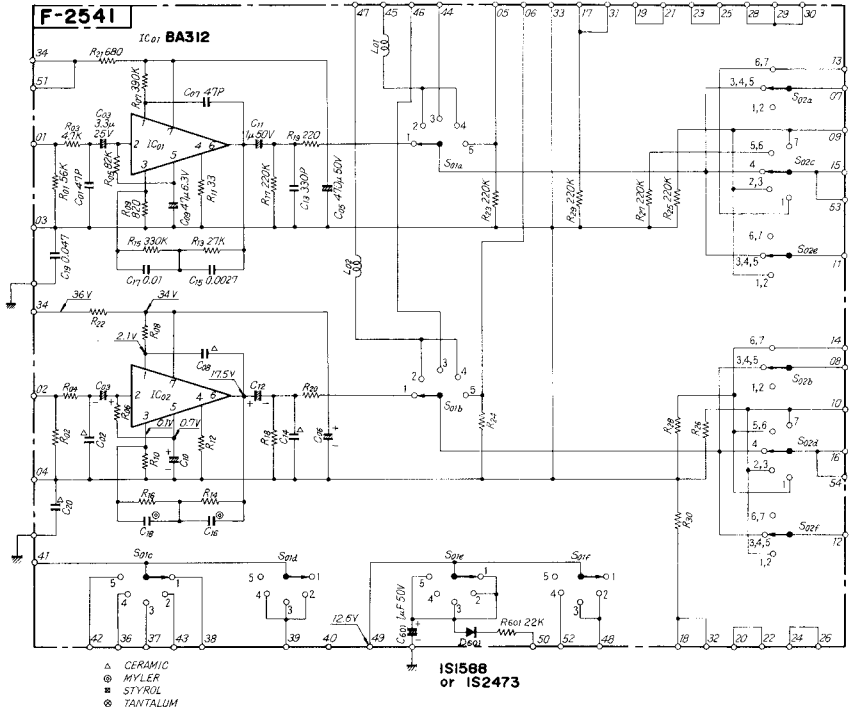
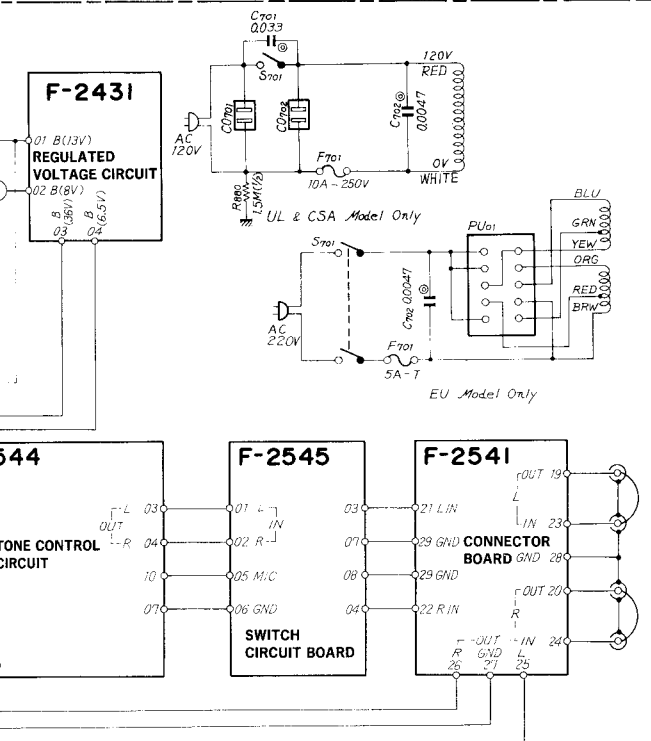


**Note:** In model **(B)**, the sections in      on schematic diagram above are not installed.

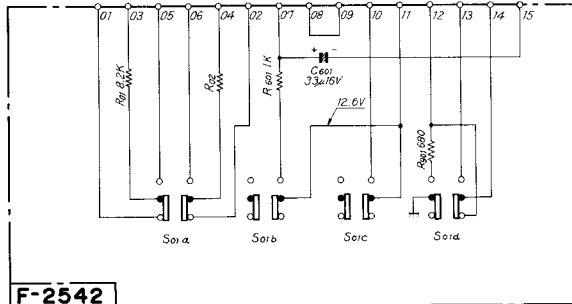
Schematic diagrams in this manual are combined with ones of model **(A)** and **(B)**. Therefore, when you use these diagrams, refer to the Notes shown in diagrams on page 18, 19 or 20. Regarding name of model **(A)**, **(B)**, please refer to "Notes" indicated on page 1.

- |           |               |                |        |
|-----------|---------------|----------------|--------|
| SELECTOR  | F-2541 S01a~f | 1. PHONO       | 4-CH A |
|           |               | 2. FM AUTO     | FM MU  |
|           |               | 3. DOLBY FM AD | MPX N  |
|           |               | 4. AM          | CANCE  |
|           |               | 5. AUX         | METER  |
| TAPE PLAY | F-2541 S02a~f | 1. DECK 1      | AUDIC  |
|           |               | 2. DECK 2      | LOW F  |
|           |               | 3. DECK 1      | HIGH I |
|           |               | 4. SOURCE      | LOUDI  |
|           |               | 5. DECK 2      | MODE   |
|           |               | 6. DECK 2      |        |
|           |               | 7. DECK 1      |        |

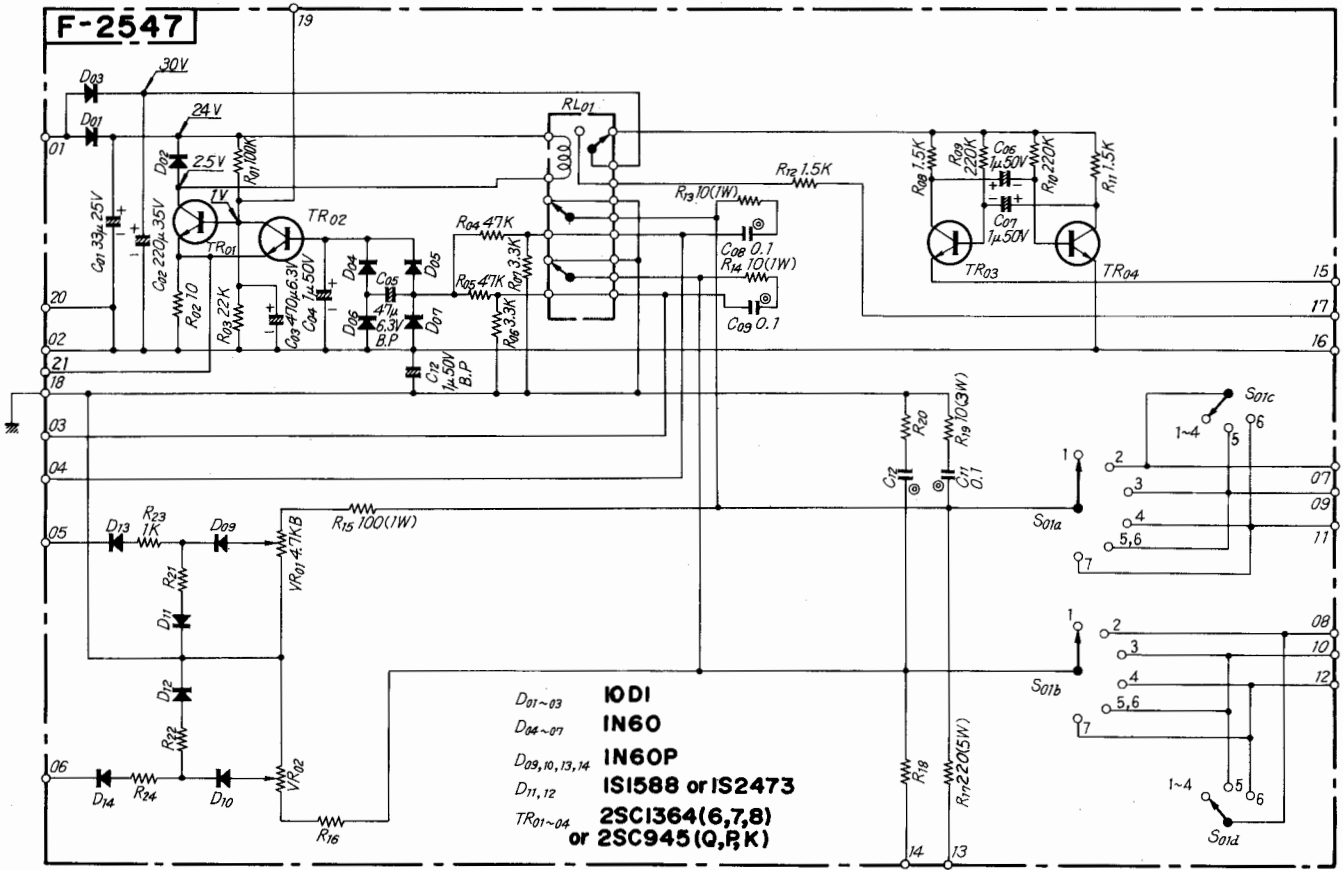
\* La présentation et les spécifications sont susceptibles d'être modifiées sans préavis par suites d'améliorations éventuelles.  
 \* Änderungen, die dem technischen Fortschritt dienen, bleiben vorbehalten.  
 \* Design and specifications subject to change without notice for improvement.



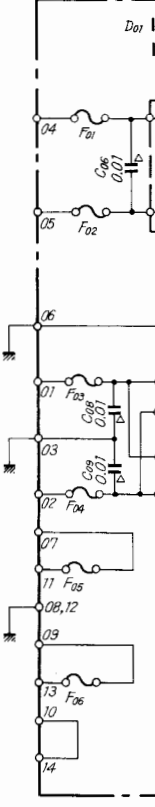
- |                    |        |         |
|--------------------|--------|---------|
| 4-CH AD/NR.AD      | F-2542 | S01a    |
| FM MUTING          | F-2542 | S01b    |
| MPX NOISE CANCELER | F-2542 | S01c    |
| METER SELECTOR     | F-2542 | S01d    |
| AUDIO MUTING       | F-2545 | S01a, b |
| LOW FILTER         | F-2545 | S02a, b |
| HIGH FILTER        | F-2545 | S03a, b |
| LOUDNESS           | F-2543 | S01a, b |
| MODE               | F-2543 | S02a, b |



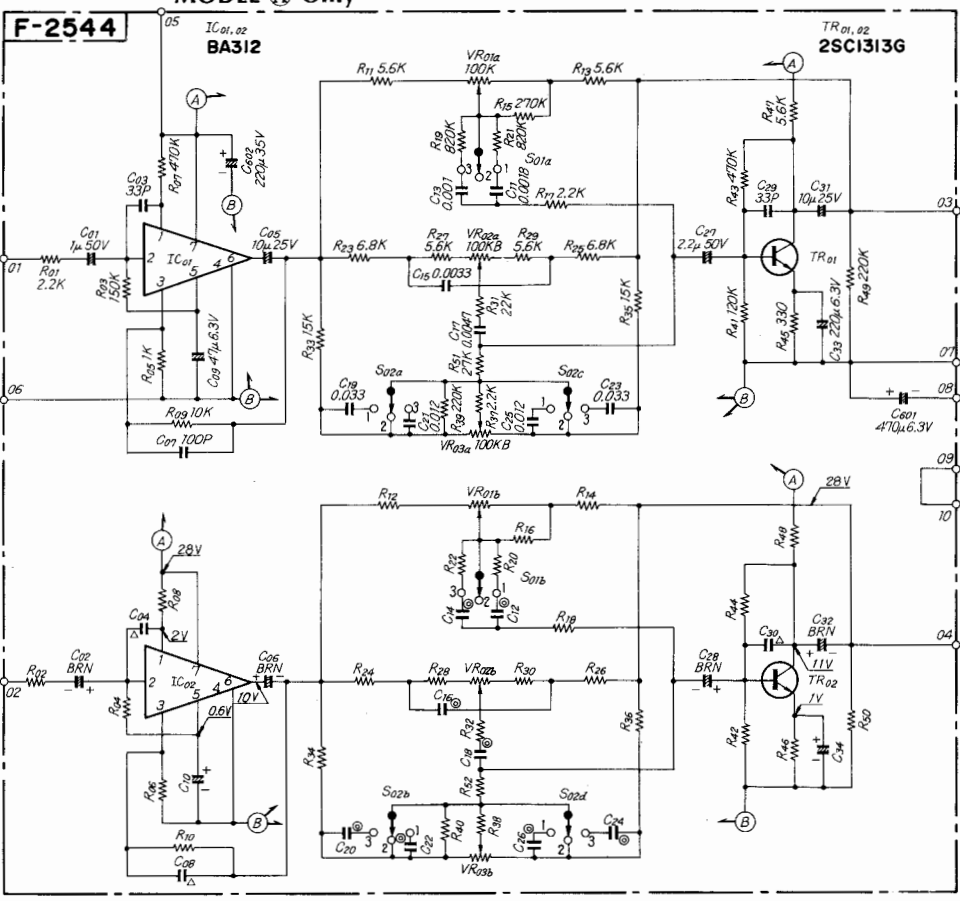
**F-2547**



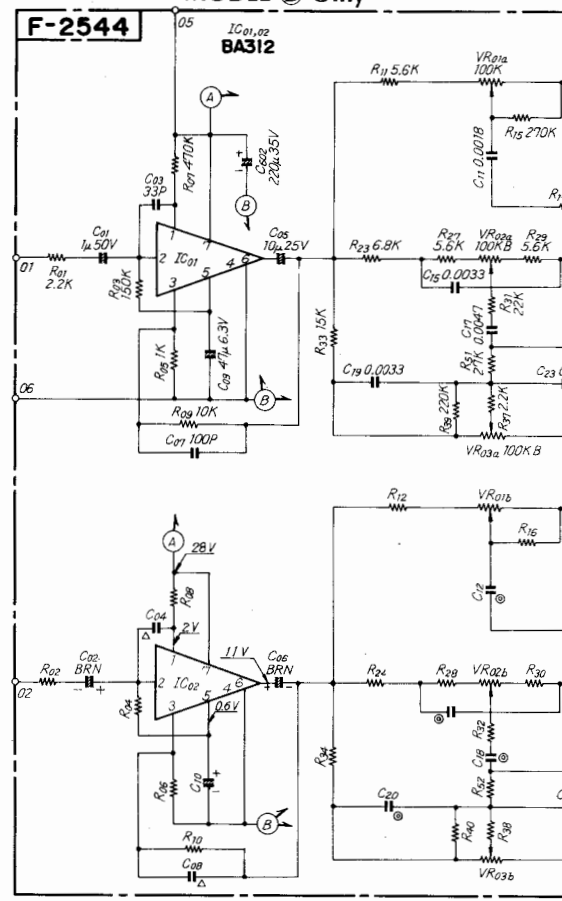
**F-2546**

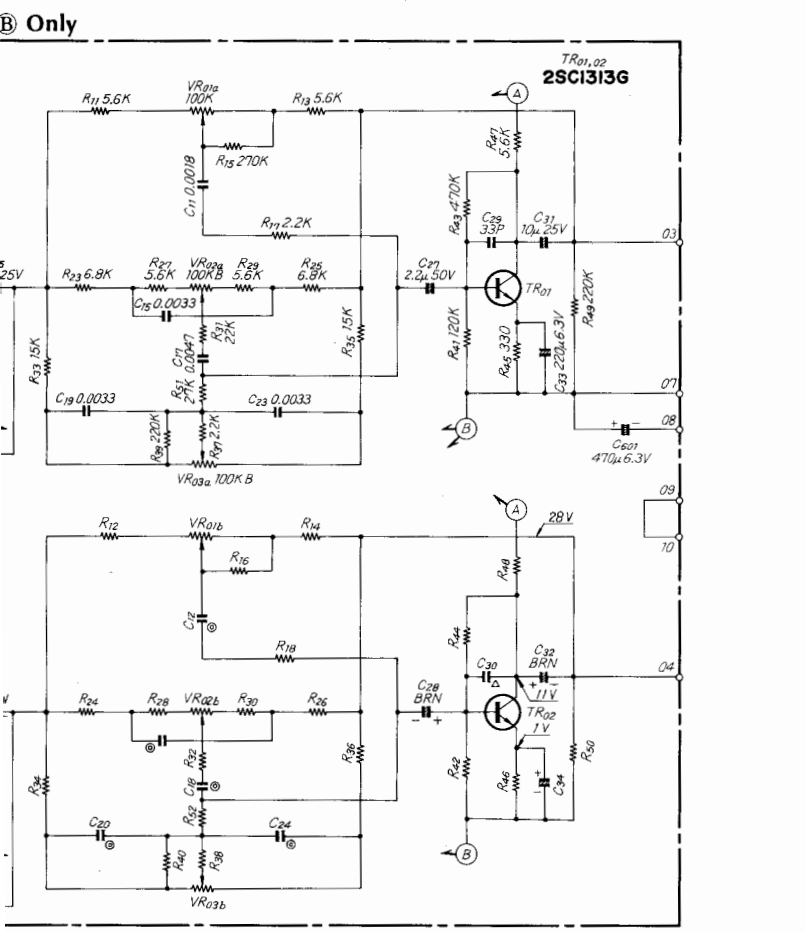
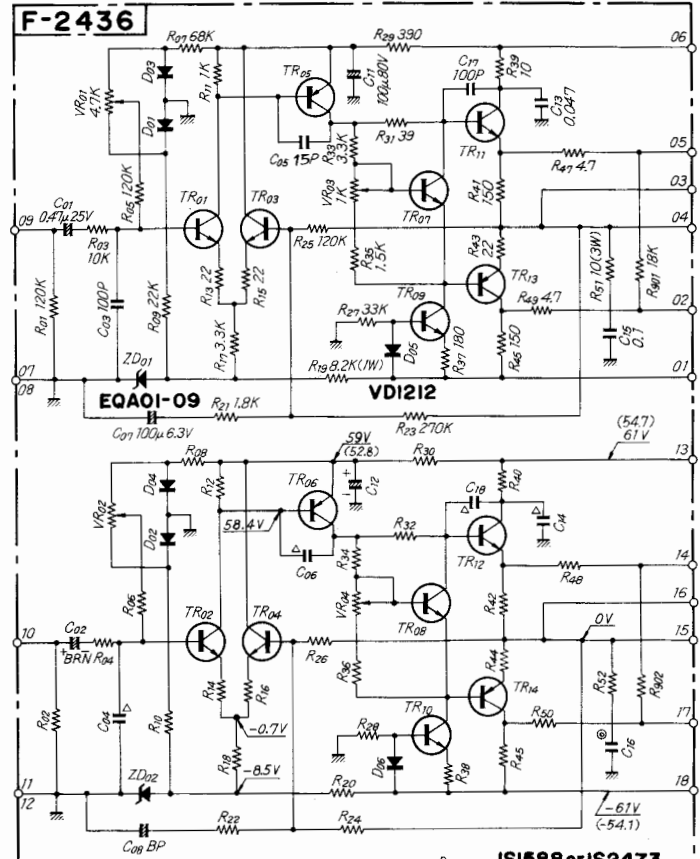
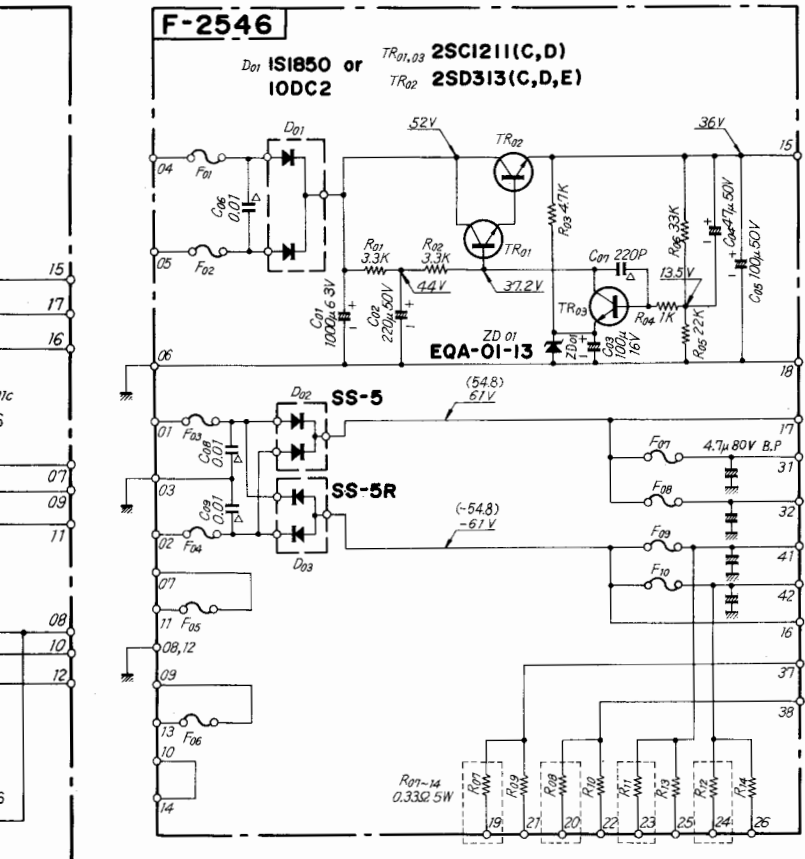


**\*MODEL (A) Only**



**\*MODEL (B) Only**





TR01-04 **2SC1708G** TR07,08 **2SC984(B,C)** TR11,12 **2SD381-2(L,M)**  
 TR05,06 **2SA818(O,Y)** TR09,10 **2SC1628(O,Y)** TR13,14 **2SB536-2(L,M)**

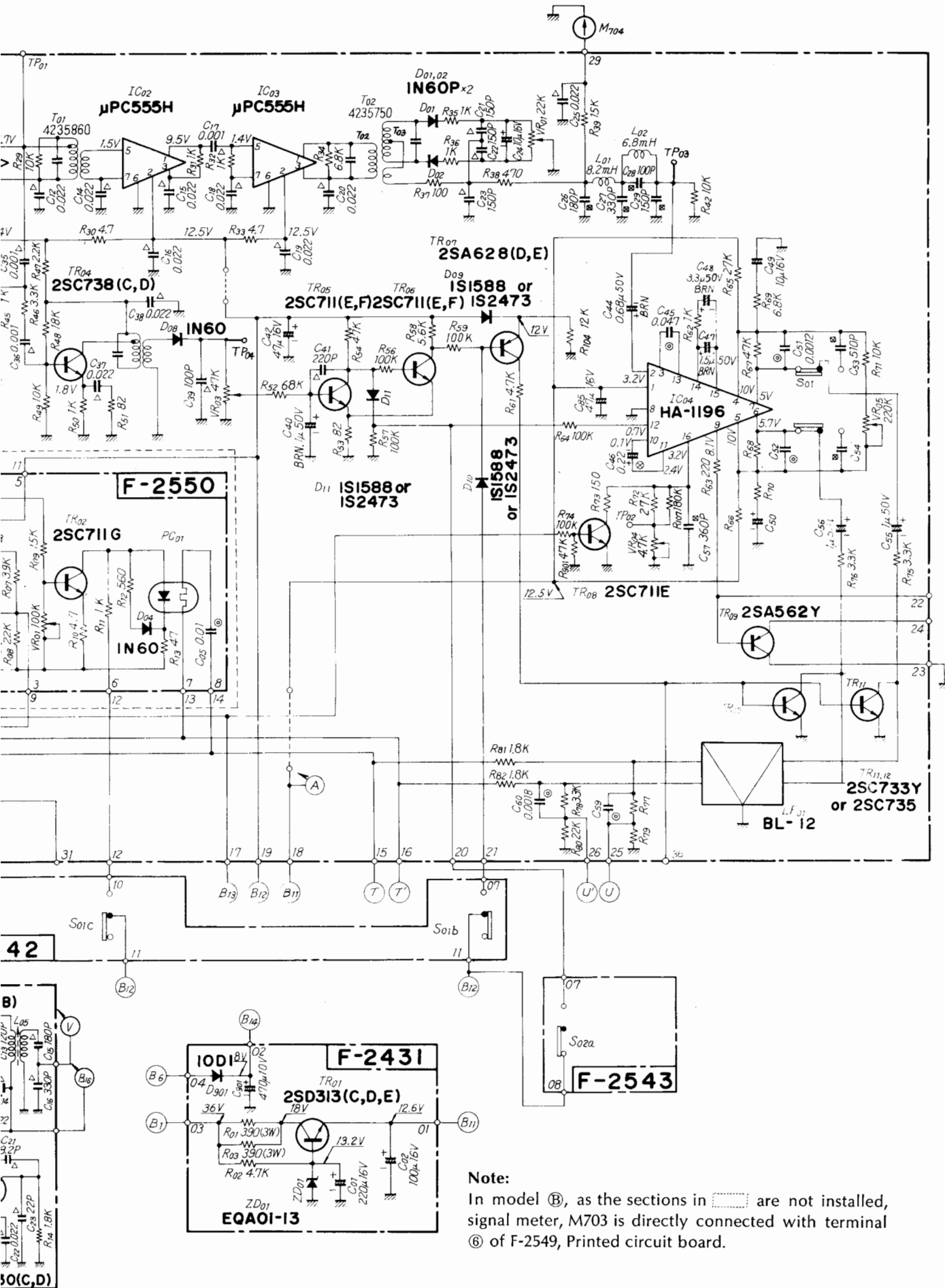
|                      |        |               |  |
|----------------------|--------|---------------|--|
| TONE SELECTOR TREBLE | F-2544 | S01a, b       | 1. 1.5kHz<br>2. DEFFAT<br>3. 3kHz                  |
| TONE SELECTOR BASS   | F-2544 | S02a, b, c, d | 1. 300Hz<br>2. DEFEAT<br>3. 150Hz                  |
| SPEAKERS SELECTOR    | F-2547 | S01a, d       | 1. OFF<br>2. A<br>3. B<br>4. C<br>5. A+B<br>6. A+C |

**Note:**

- In model **(B)**, the section in    on schematic diagram above are not installed.
- Each voltage in parentheses ( ) shows the value of model **(B)** in volts.

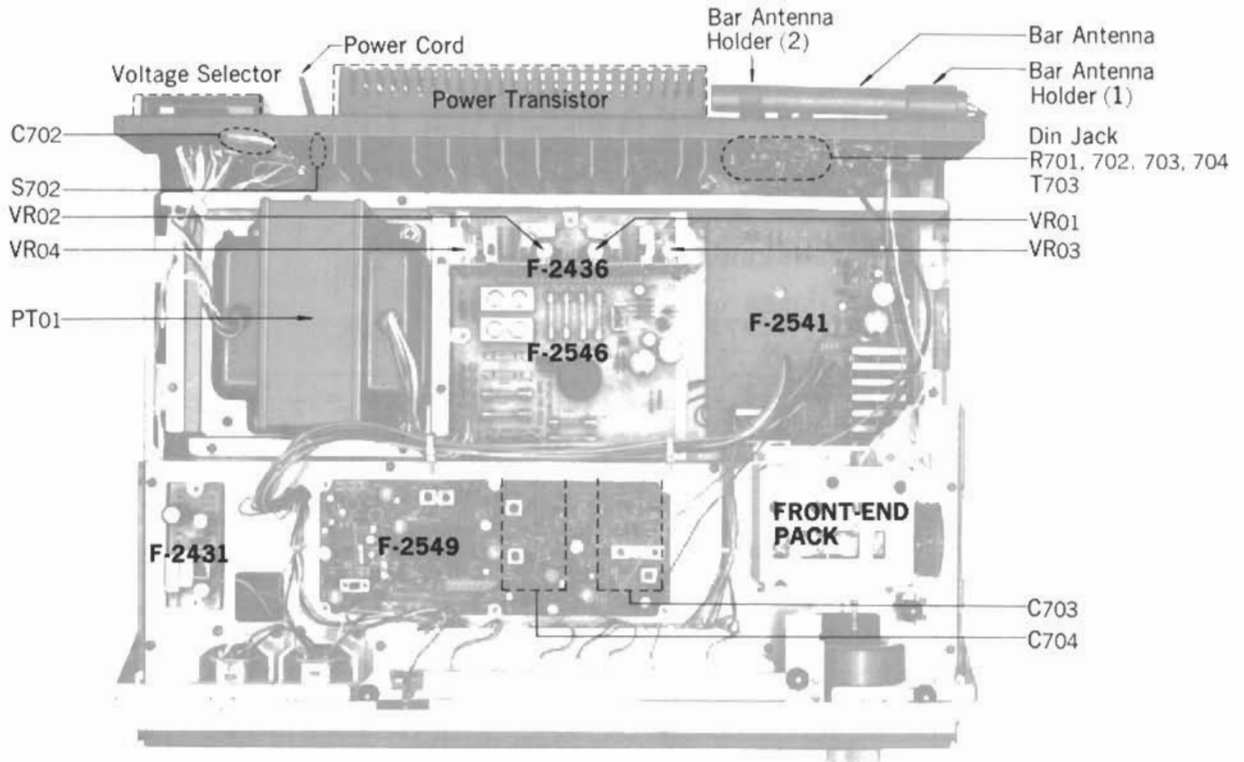






**Note:**  
 In model (B), as the sections in   are not installed, signal meter, M703 is directly connected with terminal (6) of F-2549, Printed circuit board.

## 8. OTHER PARTS 8-1. Other Parts (Top Side)



### Parts List

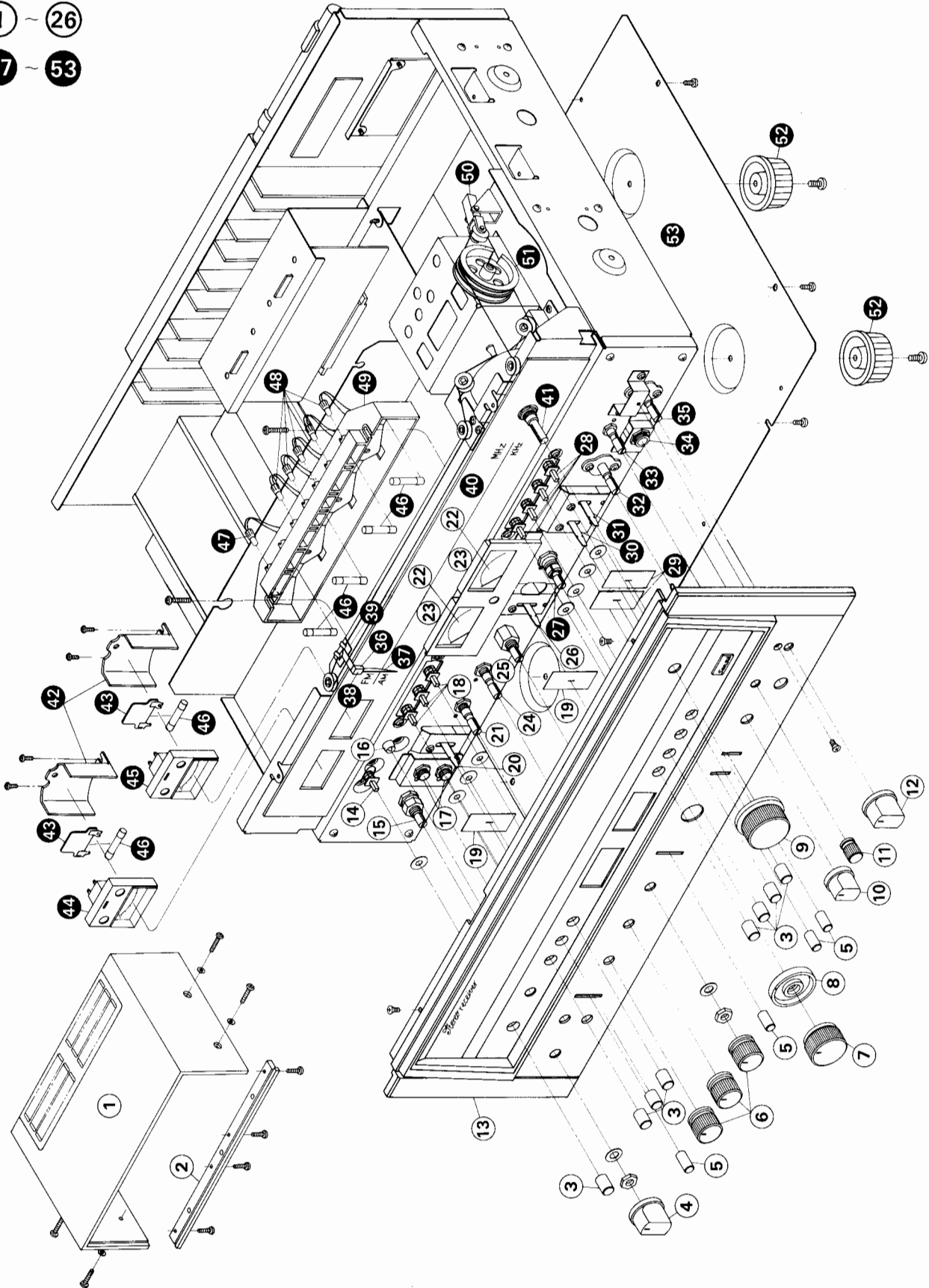
| Parts No. | Stock No.                                  | Description   |
|-----------|--|---|
|           | 0306331, 2                                 | 2SC1116A(O, Y) MODEL(A) } Power   |
|           | 0305841, 2                                 | 2SC1116 (O, Y) MODEL(B) } Transistor  |
| PT01      | { 4002340<br>4002350                       | { MODEL (A)<br>MODEL (B) } Power Transformer  |
| T702      | 4200760                                    | Bar Antenna   |
| T703      | 4290021                                    | Antenna Transformer, 75Ω/300Ω   |
| C701      | 0605337                                    | 0.033μF 250V M.C.   |
| C702      | 0605476                                    | 0.0047μF 250V M.C.  |
| C703, 704 | { 0559843<br>0559515                       | { 6800μF 71V E.C. MODEL(A)<br>6800μF 63V E.C. MODEL(B)  |
| R701, 702 | 0113184                                    | 180kΩ ¼W S.R.   |
| R703, 704 | 0113104                                    | 100kΩ ¼W S.R.   |
| F701      | { 0431280<br>0431320<br>0431270<br>0431300 | { 5A 250V (AC 220~240V) } MODEL(A)<br>10A 250V (AC 100~120V) } Power Fuse<br>4A 250V (AC 220~240V) } MODEL(B)<br>7A 250V (AC 100~120V) } Power Fuse |
| R707      | 0103122                                    | 1.2kΩ ½W C.R.   |

| Parts No. | Stock No.            | Description                           |
|-----------|----------------------|---------------------------------------|
| S702      | 1900020              | Thermal Lead Switch                   |
|           | 2210190              | 3P Antenna Terminal                   |
|           | 2200340              | 8P PRE/MAIN Terminal                  |
|           | 2200360              | 12P Input Terminal                    |
|           | 2290160              | 4P Output Terminal                    |
|           | 2230051              | Ground Terminal                       |
|           | 2430040, 1           | Din Jack                              |
|           | 2300060              | Power Fuse Holder                     |
|           | 2460010              | PRE/MAIN Connector                    |
|           | 2030040              | Power Transistor Socket               |
|           | 2450060              | AC Outlet                             |
|           | 2410091              | Voltage Selector Plug                 |
|           | 2410830              | Voltage Selector Socket               |
|           | 5268600              | Voltage Selector Cover                |
|           | { 3800290<br>3800261 | { MODEL (A)<br>MODEL (B) } Power Cord |
|           | 5286450              | Bar Antenna Holder (1)                |
|           | 5286480              | Bar Antenna Holder (2)                |

**Note:** In parts list above, there are two model numbers as model (A) and (B).  
Regarding name of model (A), (B), please refer to "Notes" indicated on page 1.

# 8-2. Other Parts (Front Side)

- 1 - 26
- 27 - 53



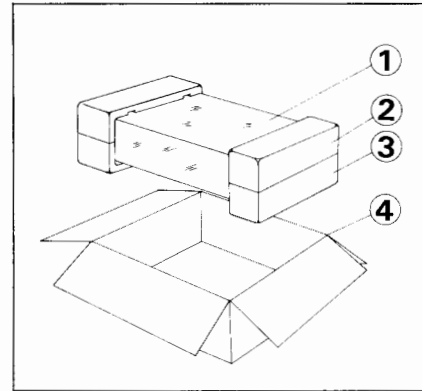
## Parts List (Front Side)

| Parts No. | Stock No.  | Description                            |
|-----------|------------|--|
| 1         | { 5726933  | MODEL(A) Bonnet                        |
|           | { 5726923  |  |
| 2         | { 5996092  | MODEL(A) Panel Sash                    |
|           | { 5996102  |  |
| 3         | 5326550    | Push Knob (B)                          |
| 4         | { 5318400  | E-2 Type Knob MODEL(A) } Speakers Knob |
|           | { 5318380  |  |
| 5         | 7106130    | C-2 Type Knob, Lever Switch            |
| 6         | 5318410    | S-10 Type Knob, Tone Control Knob      |
| 7         | 5318440    | WI-6 Type Knob, Volume                 |
| 8         | 5318431    | WO-8 Type Knob, Balance                |
| 9         | 5318420    | T-12 Type Knob, Tuning                 |
| 10        | { 5318390  | E-1 Type Knob MODEL(A) } Tape Copy     |
|           | { 5318410  |  |
| 11        | 5318340    | N-6 Type Knob, MIC Level               |
| 12        | { 5318400  | E-2 Type Knob MODEL(A) } Selector Knob |
|           | { 5318380  |  |
| 13        | { 7007160  | MODEL(A) Front Panel                   |
|           | { 7007170  |  |
| 14        | 1131190    | Power Switch                           |
| 15        | 1102650    | Speakers Switch                        |
| 16        | 0319040    | LED Ass'y                              |
| 17        | 2430200    | Head phone Jack                        |
| 18        | 1131170    | Push Switch                            |
| 19        | 5047470    | Masking, Lever Switch                  |
| 20        | 1171220    | Bass Selector MODEL(A) only            |
| 21        | 1010930    | Bass Volume, 100kΩ B                   |
| 22        | 4300920    | Power Meter                            |
| 23        | 7726040    | Power Meter Circuit Board              |
| 24        | 1010930, 1 | Midrange Volume, 100kΩ B               |
| 25        | 1010930, 1 | Treble Volume, 100kΩ B                 |
| 26        | 1171240    | Treble Selector MODEL(A) only          |
| 27        | 1060320, 1 | Master & Balance Volume, 250kΩ MN      |
| 28        | 1131180    | Push Switch                            |
| 29        | 5047470    | Masking, Lever Switch                  |
| 30        | 1171120    | Loudness Switch                        |
| 31        | 1171120    | MODE Switch                            |
| 32        | 1102660    | Tape Copy Switch                       |
| 33        | 1005170, 1 | MIC Volume, 20kΩ                       |
| 34        | 2430170    | MIC Jack                               |
| 35        | 1103550    | Selector                               |
| 36        | 5416350    | Holder, Dial Pointer                   |
| 37        | 5416050    | Dial Pointer                           |
| 38        | 0400200    | Dial Pointer Lamp, 6.3V 75mA           |
| 39        | 5516030    | Teflon Sheet                           |
| 40        | 5407930    | Dial Glass                             |
| 41        | 7036451    | Tuning Unit                            |
| 42        | 5269330    | Meter Holder                           |
| 43        | 7726060    | Meter Circuit Board                    |
| 44        | 4300740    | Signal Meter                           |
| 45        | 4300750    | Tune Meter                             |
| 46        | 0420040    | Meter Lamp, 7V 330mA                   |
| 47        | 0400420    | FM Stereo Indicator, 7V 100mA          |
| 48        | 0400420    | Indicator Lamp, 7V 100mA               |
| 49        | 5066211    | Illumination Box                       |
| 50        | 7136080    | Tension Unit                           |
| 51        | 6146670    | Dial Pulley, D-44                      |
| 52        | 5517050    | Leg                                    |
| 53        | 5058510    | Bottom Plate                           |

**Note:** In parts list above, there are two model numbers as model (A) and (B). Regarding name of model (A), (B), please refer to "Notes" indicated on page 1.

## 9. PACKING LIST

| Parts No. | Stock No. | Description           |
|-----------|-----------|-----------------------|
| 1         | 9116271   | Vinyl Cover           |
| 2         | 9027940   | Stylofoam Packing (A) |
| 3         | 9027930   | Stylofoam Packing (B) |
| 4         | { 9009020 | Carton Case MODEL(A)  |
|           | { 9008420 |                       |
| 5         | 5996080   | Curl Stopper          |



## 10. ACCESSORY PARTS LIST

| Stock No. | Description                     |
|-----------|---------------------------------|
| 9209270   | Operating Instructions MODEL(A) |
| 9209280   | Operating Instructions MODEL(B) |
| 9237030   | Schematic Diagram MODEL(A)      |
| 9237040   | Schematic Diagram MODEL(B)      |



SANSUI ELECTRIC CO., LTD.  
14-1, 2-chome, Izumi, Suginamiku, Tokyo 168, Japan.  
TELEPHONE: (03) 323-1111 / TELEX: 232-2076

SM052

Printed in Japan (D5720M)